

BAXI FIRES DIVISION

INSTALLER GUIDE

Model 755

REMOTE CONTROL
INSET LIVE FUEL EFFECT GAS FIRE

Fitted with a

Fascination fascia

(GC No. 32-811-20)



We trust that this guide gives sufficient details to enable this appliance to be installed and maintained satisfactorily. However, if further information is required, our **Baxi Fires Division Technical Helpline** will be pleased to help. Telephone **08706 061 065** (National call rates apply in the United Kingdom)
In the Republic of Ireland
Telephone **0044 8706 061 065**.

**THIS APPLIANCE IS FOR USE WITH
NATURAL GAS (G20).
WHEN CONVERTED USING
CONVERSION KIT NO. 05754M1 THIS
APPLIANCE IS FOR USE WITH
PROPANE GAS (G31).
THIS APPLIANCE IS SUITABLE ONLY
FOR INSTALLATION IN THE UNITED
KINGDOM (GB) AND THE REPUBLIC
OF IRELAND (IE).**

BAXI ● VALOR ● WONDERFIRE

INSTALLER: Please leave this guide with the owner

INSTALLER GUIDE

© Baxi Heating U.K. Limited 2006.

All rights reserved. No part of this publication may be reproduced in any material form (including photocopying), stored in any medium by electronic means (including in any retrieval system or database) or transmitted, in any form or by any means, whether electronic, mechanical, recording or otherwise, without the prior written permission of the copyright owner.

Applications for the copyright owner's permission to reproduce any part of this publication should be made, giving details of the proposed use, to the following address:
The Company Secretary, Baxi Heating UK Limited, Pentagon House, Sir Frank Whittle Road, Derby, DE21 4XA.

Warning: Any person who does any unauthorised act in relation to a copyright work may be liable to criminal prosecution and civil claims for damages.

B A X I F I R E S D I V I S I O N

Baxi Fires Division, Erdington, Birmingham B24 9QP
www.firesandstoves.co.uk

Because our policy is one of constant development and improvement, details may vary slightly from those given in this publication

INSTALLER GUIDE

Safety First.

Baxi Fires Division fires are CE Approved and designed to meet the appropriate British Standards and Safety Marks.



Quality and Excellence.

All Baxi Fires Division fires are manufactured to the highest standards of quality and excellence and are manufactured under a BS EN ISO 9001 quality system accepted by the British Standards Institute.



The Highest Standards

Baxi Fires Division is a member of the Society of British Gas Industries which works to ensure high standards of safety, quality and performance.



Careful Installation

Baxi Fires Division is a CORGI registered company. All our gas fires must be installed by a competent CORGI Registered Installer in accordance with our Installer Guide and should not be fitted directly on to a carpet or floor of combustible material.

INSTALLER GUIDE

CONTENTS

<u>Section</u>	<u>Heading</u>	<u>Page</u>
1.	SAFETY	5
2.	ACCESSORY LIST	5
3.	APPLIANCE DATA	6
4.	GENERAL INSTALLATION REQUIREMENTS	7
5.	PACK CONTENTS	14
6.	FIREPLACE CHECK	15
7.	IGNITION CHECK	16
	7.1 Fitting batteries to the remote control handset.	16
	7.2 Fitting batteries to the heat engine.	17
	7.3 Setting the handset and receiver relationship.	17
	7.4 Checking the ignition operation.	17
8.	GAS SUPPLY CONNECTION	18
9.	PREPARING APPLIANCE FOR INSTALLATION	18
10.	HOTBOX INSTALLATION	21
11.	BURNER & SUPPLY PIPE INSTALLATION	24
12.	FITTING THE CERAMIC FUEL EFFECT	26
13.	FULL OPERATING CHECKS	26
	13.1 Check the handset and burner operation.	26
	13.2 Check for spillage.	26
	13.3 Flame supervision and spillage monitoring system.	27
14.	FASCIA INSTALLATION	28
15.	FINAL REVIEW	30
16.	SERVICING & PARTS REPLACEMENT	31
	16.1 To remove the fascia.	32
	16.2 To remove the complete burner unit.	32
	16.3 To remove the pilot unit.	33
	16.4 To remove the gas tap.	33
	16.5 To grease the control tap.	34
	16.6 To remove the main burner and injector.	34
	16.7 To remove the L.E.D.	35
	16.8 To remove the battery holder.	35
	16.9 To remove the electronics box.	35
	16.10 To remove the appliance from the fireplace.	36

INSTALLER GUIDE

1. SAFETY

Installer

Before continuing any further with the installation of this appliance please read the following guide to manual handling:

- The lifting weight of this appliance is as below:

<u>Model</u>	<u>Weight (kg)</u>
Fascination	16.5

- One person should be sufficient to lift the fire. If for any reason this weight is considered too heavy then obtain assistance.
- When lifting always keep your back straight. Bend your legs and not your back.
- Avoid twisting at the waist. It is better to reposition your feet.
- Avoid upper body/top heavy bending. Do not lean forward or sideways whilst handling the fire.
- Always grip with the palm of the hand. Do not use the tips of fingers for support.
- Always keep the fire as close to the body as possible. This will minimise the cantilever action.
- Use gloves to provide additional grip.
- Always use assistance if required.

2. ACCESSORY LIST

The following accessories are available: -

<u>Description</u>	<u>Part Number</u>
Pre cast and clay flue block spacer kit	05654K1
LPG conversion kit	05754M1

INSTALLER GUIDE

3. APPLIANCE DATA

Gas	Natural (G20)	Propane (G31)*
Inlet Pressure	20mbar	37mbar
Input Max. (Gross)	5.5kW (18,766 Btu/h)	5.0kW (17,060 Btu/h)
Input - Min. (Gross)	3.1kW (10,577 Btu/h)	4.6kW (15,695 Btu/h)
Inlet Test Pressure (Cold)	20.0 ± 1.0mbar (8.0 ± 0.4in w.g.)	37.0 ± 1.0mbar (14.85 ± 0.4in w.g.)
Gas Connection	8mm pipe	8mm pipe
Burner Injector	Stereomatic Cat. 82 Size 065	Stereomatic Size 110
Pilot & Atmosphere Sensing Device	Copreci Ref. O.D.S 21500/194	Copreci Ref. O.D.S 21500/194 Fitted with RBM 180 - 02 injector
Ignition	Electronic	Electronic
Aeration	Non-adjustable	Non-adjustable

* When converted using conversion kit number 05754M1.

The appliance data label is located on a plate at the base of the fire. This can be seen by lowering the bottom front cover of the fascia.

The efficiency of this appliance has been measured as specified in BS 7977 - 1 and the result is as below :

<u>Model</u>	<u>Efficiency % (Gross)</u>
Fascination.	48
Fascination when converted to LPG.	50

The gross calorific value of the fuel has been used for this efficiency calculation. The test data from which it has been calculated has been certified by Advantica Certification services (0087). The efficiency value may be used in the UK Government's Standard Assessment Procedure (SAP) for energy rating of dwellings.

The conversion of **net** efficiency to **gross** was achieved by multiplying the net efficiency by the following conversion factor from Table E3 of SAP 2005, rounding down to the nearest whole number.

INSTALLER GUIDE

Gas	Conversion factor from net to gross efficiency
Natural Gas	0.901
LPG	0.921

This product uses fuel effect pieces containing Refractory Ceramic Fibres (RCF), which are man-made vitreous silicate fibres. Excessive exposure to these materials may cause irritation to eyes, skin and respiratory tract. Consequently, it is important to take care when handling these articles to ensure that the release of dust is kept to a minimum. To ensure that the release of fibres from these RCF articles is kept to a minimum, during installation and servicing we recommend that you use a HEPA filtered vacuum to remove any dust and soot accumulated in and around the fire before and after working on the fire. When replacing these articles we recommend that the replaced items are not broken up, but are sealed within a heavy duty polythene bag, clearly labelled as RCF waste. RCF waste is classed as a stable, non-reactive hazardous waste and may be disposed at a landfill licensed to accept such waste. Protective clothing is not required when handling these articles, but we recommend you follow the normal hygiene rules of not smoking, eating or drinking in the work area and always wash your hands before eating or drinking. This appliance does not contain any component manufactured from asbestos or asbestos related products.

4. GENERAL INSTALLATION REQUIREMENTS

4.1 The installation must be in accordance with these instructions.

For the user's protection, in the United Kingdom it is the law that all gas appliances are installed by competent persons in accordance with the current edition of the Gas Safety (Installation and Use) Regulations. Failure to install the appliance correctly could lead to prosecution. The Council for the Registration of Gas Installers (CORGI) requires its members to work to recognised standards.

In the United Kingdom the installation must also be in accordance with:

All the relevant parts of local regulations.

All relevant codes of practice.

The relevant parts of the current editions of the following British Standards:-

BS 715

BS EN 1856 Part 1

BS 1251

BS EN 1858 which replaces BS 1289 Part 1

BS EN 1806 which replaces BS 1289 Part 2

BS EN 1856 Part 1 which replaces BS 4543 Part 2

INSTALLER GUIDE

BS 5440 Part 1
BS 5440 Part 2
BS 5871 Part 2
BS 6461 Part 1
BS 6891
BS 8303

In England and Wales, the current edition of the Building Regulations issued by the Department of the Environment and the Welsh Office

In Scotland, the current edition of the Building Standards (Scotland) Regulations issued by the Scottish Executive.

In Northern Ireland, the current edition of the Building regulations (Northern Ireland) issued by the Department of the Environment for Northern Ireland.

In the republic of Ireland the installation must also conform to the relevant parts of:

- a) The current edition of IS 813 “Domestic gas installations”
- b) All relevant national and local rules in force.

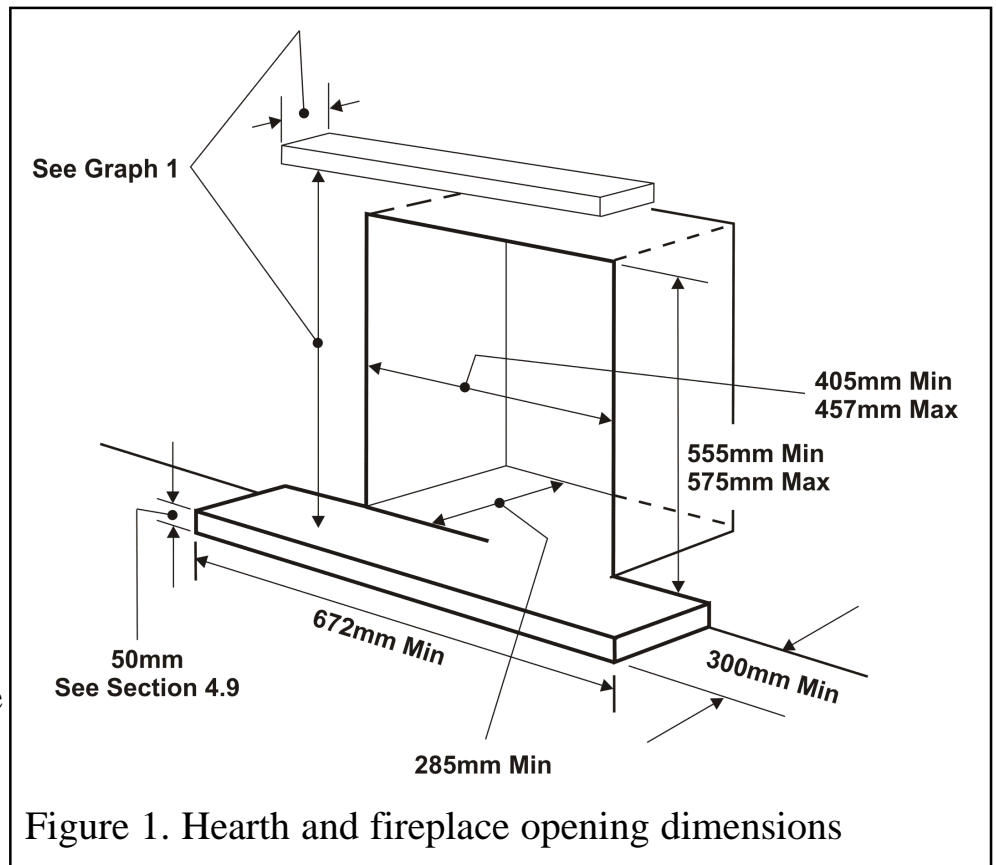
Where no specific instructions are given, reference should be made to the relevant British Standard Code of Practice.

4.2 In the United Kingdom, as supplied, the appliance can be installed in the following situations:

4.2.1 To a fireplace complete with surround and hearth as shown in figure 1 and complying with BS1251 after removal of the fireback and sufficient material behind the fireback for a debris catchment space. The required fireplace, hearth, debris catchment area and clearance dimensions are shown in figure 1.

4.2.1.1 ‘Hole-in-the-wall’ installations.

It is recommended that a hearth should be installed as in figure 1. If a hearth is not fitted, the fire must be installed so that the distance from the base of the fireplace opening in the wall to the finished floor level is at least 85mm. Where there is no floor



INSTALLER GUIDE

covering or carpet and the floor is of a type that is likely to be covered in such a way in the future then the distance from the base of the fireplace opening in the wall to the floor level should be increased to at least 160mm. The minimum shelf height will have to be taken from the base of the fireplace opening.

4.2.2 To a fireplace incorporating a metal flue box complying with the constructional requirements of BS 715 and BS EN 1856 Part 1. The dimensions of the flue box must conform to those shown in figure 2.

4.2.3 A precast concrete or clay flue block system conforming to BS EN 1858 or BS 1289 with dimensions as in figure 3 or using a 05654K1 spacer kit. (Installation Instructions part

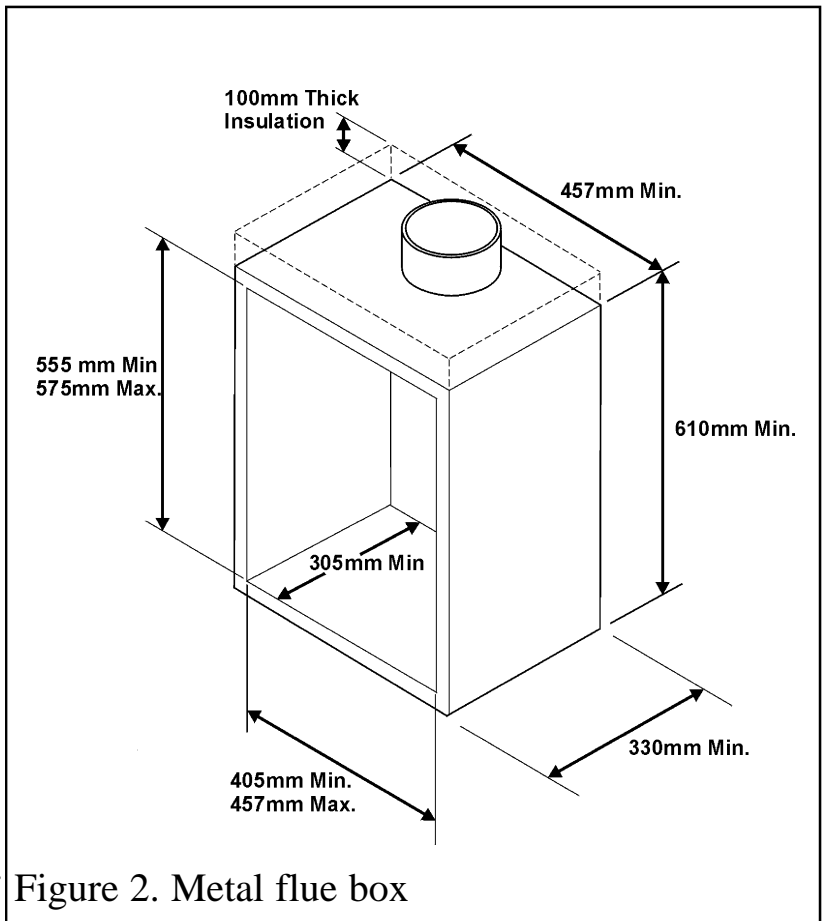


Figure 2. Metal flue box

number 3003095). The current versions of BS1289 and BS EN 1858 recommend that there should be an air space or insulation between the flue blocks and the plaster because heat transfer may cause cracking on directly plastered flues. However, generally this appliance is suitable for installations under all circumstances unless there is a history of cracking problems.

Remember that faults such as cracking may be caused by poorly built and restrictive flues, e.g. mortar extrusions, too many bends, flue heights below three metres, restrictive terminations etc (See figure 3).

4.2.4 If the fireplace opening is greater than the acceptable dimensions given in this guide, do not use the back of a fire surround or marble to reduce the opening. This may cause cracking of the surround back or marble.

4.3 Suitable flues and minimum flue sizes are as follows: -

It should be noted that, as with many appliances, sharp bends or horizontal runs in metal flues at the top of the system can be a cause of problems in these types of installation.

- 225mm x 225mm conventional brick flue.
- 175mm diameter lined brick or stone flue.
- 200mm diameter factory made insulated flue manufactured to the current edition of BS EN 1859 or BS 4543.
- 175mm diameter flue pipe. See BS6461 Part 1 for suitable materials.

INSTALLER GUIDE

- Single wall, twin wall or flexible flue liner with a minimum diameter of 125mm. The materials to be used are stainless steel or aluminium as specified in BS EN 1856 Part 1. The liner must be sealed to the surrounding area above the fireplace opening and to the top of the chimney. An approved terminal must be fitted.
- A properly constructed precast concrete or clay flue system conforming to BS1289 or BS EN 1858. This system is only suitable if the conditions stated in section 4.2.3 are met.

4.4 The flue must conform to BS 5440: Part 1 in design and installation. The flue, measured from the bottom of the fireplace opening to the bottom of the terminal, shall be not less than 3m in actual vertical height. When calculated in accordance with BS 5440: Part 1 Annex A, the minimum **equivalent** height of the flue shall be 2.0m of 125mm-dia. flue pipe.

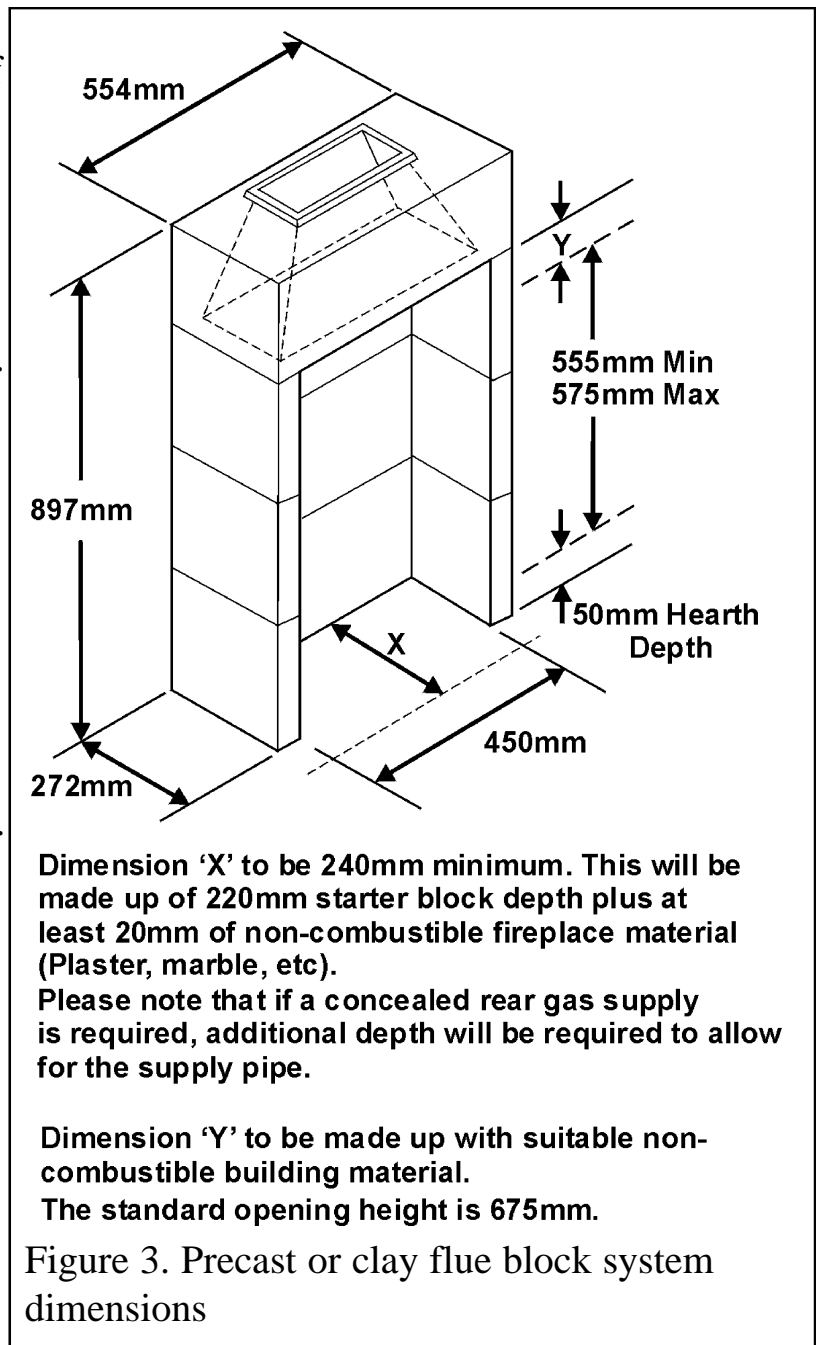
4.5 The flue must not be used for any other appliance or application.

4.6 Any chimney damper or restrictor should be removed. If removal is not possible, they must be secured in the open position.

4.7 If the appliance is intended to be installed to a chimney that was previously used for solid fuel, the flue must be swept clean prior to installation. All flues should be inspected for soundness and freedom from blockages.

4.8 If the fireplace opening is an underfloor draught type, it must be sealed to stop any draughts.

4.9 The appliance must be mounted behind a non-combustible hearth unless the conditions in section 4.2.3 are met (N.B. conglomerate marble hearths are considered as non-combustible). The appliance can be fitted to a purpose made proprietary class “O”-



INSTALLER GUIDE

150°C surround. The hearth material must be at least 12mm thick. The periphery of the hearth (or fender) should be at least 50mm above floor level to discourage the placing of carpets or rugs over it.

The surface of the hearth must be sufficiently flat to enable the bottom of the fascia and the bottom front cover to be aligned horizontally. Any excessive unevenness (uneven tiles, Cotswold stone, etc.) should be rectified.

The appliance must not stand on combustible materials or carpets.

4.10 The front face of the fireplace should be reasonably flat over the area covered by the hotbox top and side flange seals to ensure good sealing. These faces should be made good if necessary.

The fireplace floor should be reasonably flat to ensure that a good seal with the hotbox can be made.

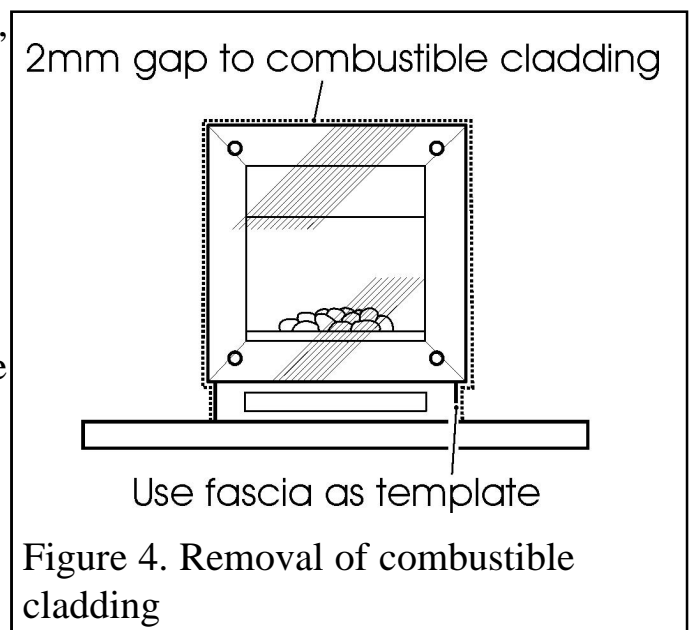
4.11 Note that soft wall coverings (e.g. embossed vinyl, etc.) are easily affected by heat. They may scorch or become discoloured when close to a heating appliance. Please bear this in mind when installing.

4.12 This appliance must not be installed in any room that contains a bath or shower or where steam is regularly present.

4.13 An extractor fan may only be used in the same room as this appliance, or in any area from which ventilation for the appliance is taken, if it does not affect the safe performance of the appliance. Note the spillage test requirements detailed further on in this manual. If the fan is likely to affect the appliance, the appliance must not be installed unless the fan is permanently disconnected.

4.14 Normal adventitious ventilation is usually sufficient to satisfy the ventilation requirements of this appliance. In GB reference should be made to BS 5871 Part 2 and in IE reference should be made to the current edition of IS 813 “Domestic Gas Installations” which makes clear the conditions that must be met to demonstrate that sufficient ventilation is available.

4.15 If the appliance is to be fitted against a wall with combustible cladding, the cladding must be removed from the area covered by the fascia. The cladding must also not touch the fascia (See figure 4). We suggest that the actual fascia is used as a template to mark the area for combustible cladding removal and that this area is increased by at least 2mm all

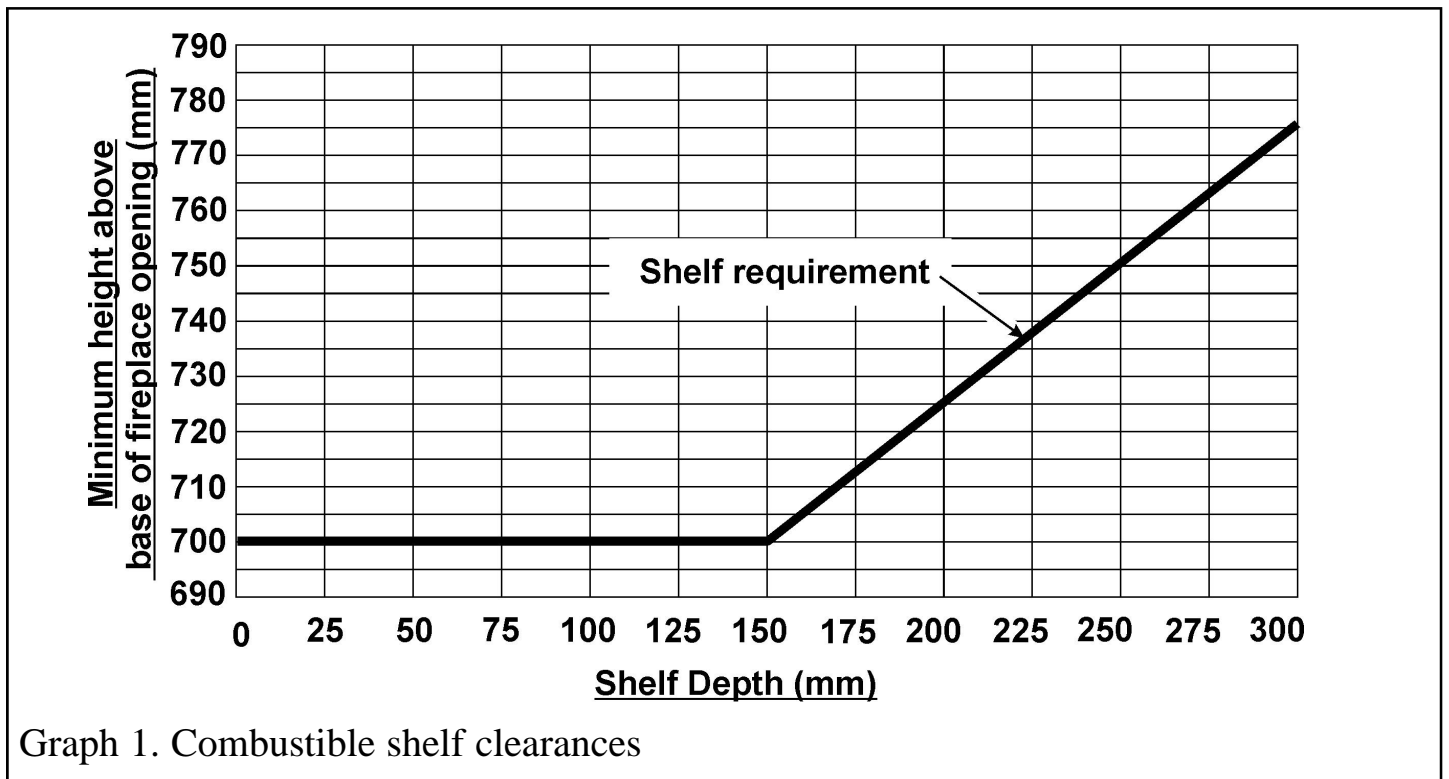


INSTALLER GUIDE

round. If the cladding projects forward from the fixing plane of the fire the clearance at the top of the appliance must be increased to a minimum 15mm. This will allow for fascia removal.

4.16 The minimum height from the base of the fireplace opening to the underside of any shelf made from wood or other combustible materials is shown below: -

- For a shelf up to 150mm deep
Minimum height = 700mm.
- For a shelf deeper than 150mm
Minimum height = 700mm + 12.5mm for every 25mm depth over 150mm.
(See graph 1).



Graph 1. Combustible shelf clearances

4.17 Proprietary terminals must comply with BS EN 1856 Part 1 . Any terminal or termination must be positioned in accordance with BS 5440 Part 1 to ensure that the products of combustion can be safely dispersed into the outside atmosphere. Where the appliance is connected to an unlined brick chimney it is generally unnecessary for the chimney pot to be replaced or for a terminal to be fitted unless the flue has a diameter smaller than 170mm.

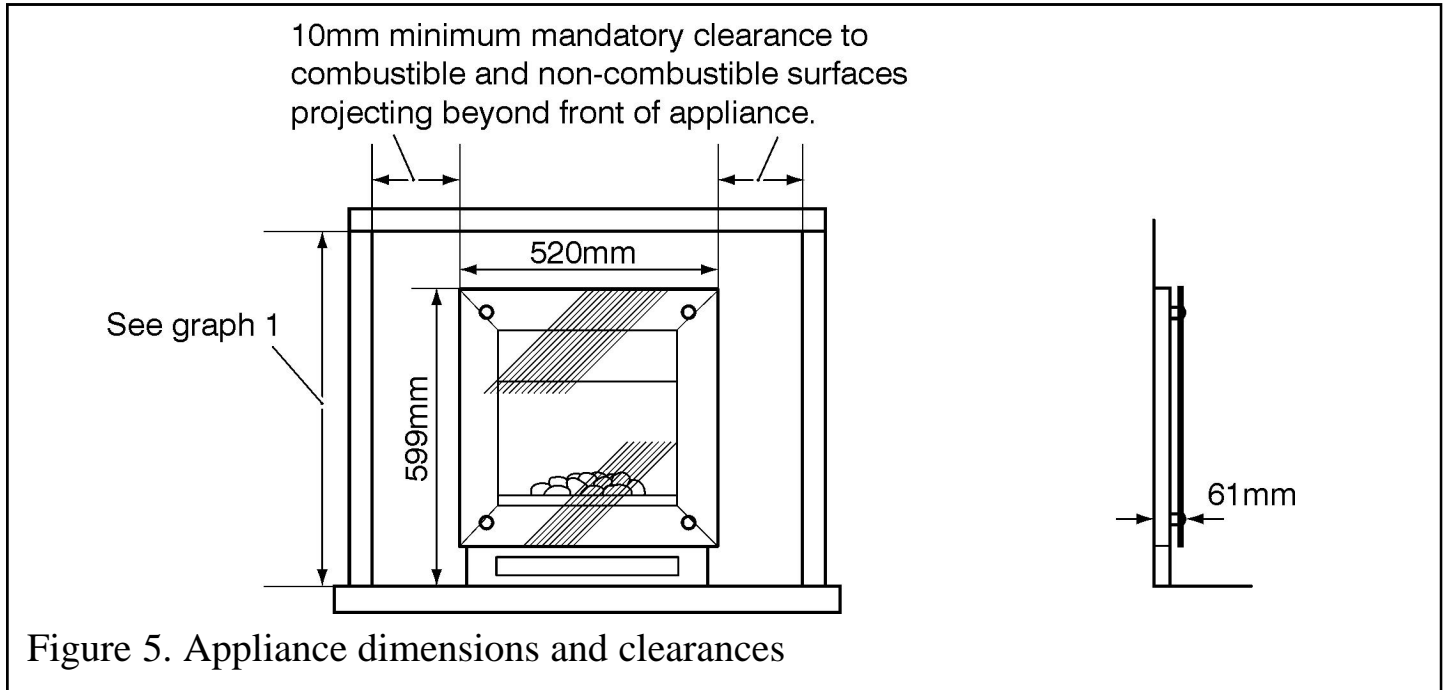
4.18 The appliance is fitted with an A.S.D (Atmosphere sensing device). If the appliance closes down after a period of operation for no apparent reason, the consumer should be informed to stop using the appliance until the installation and appliance have been thoroughly checked. The A.S.D will shut the appliance down if an unacceptable amount of harmful products of combustion accumulate. Under no circumstances should the A.S.D be altered or bypassed in any way. Only a genuine manufacturers replacement

INSTALLER GUIDE

part should be fitted. The individual A.S.D components are not replaceable.

4.19 The glass panel is a working surface and is hot during normal operation of the fire and whilst cooling. A fireguard complying with BS 8423 should be fitted for the protection of young children, the elderly, or the infirm.

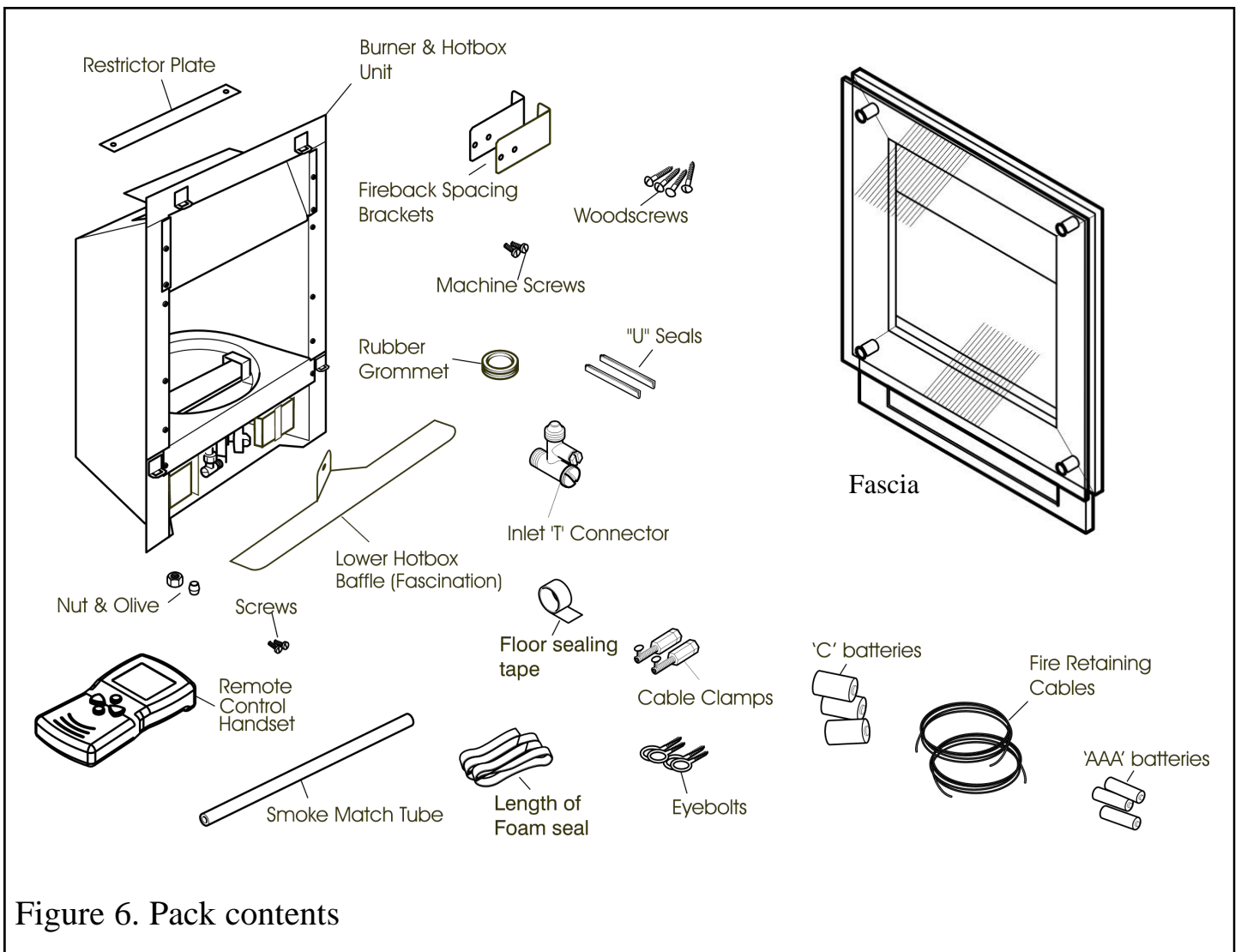
4.20 The minimum allowable distance from the outside of the appliance fascia to a corner wall having combustible material or any other combustible surface which projects beyond the front of the appliance is shown in figure 5.



INSTALLER GUIDE

5. PACK CONTENTS

- | | | | |
|---|---|---|--|
| 1 | Burner & Hotbox Unit | 2 | Fire retaining cables |
| 1 | Nut & olive for 8mm inlet pipe | 2 | Cable clamps |
| 1 | Inlet 'T' Connector | 1 | Rubber grommet |
| 1 | Flue restrictor plate | 1 | Lower Hotbox baffle. |
| 2 | Screws (For flue restrictor) | 1 | Thumbscrew. |
| 2 | Fireback spacing brackets | 1 | Literature pack |
| 2 | Screws (For Fireback spacing brackets) | 1 | Smoke match tube |
| 1 | Ceramic fuel effect pack (Not shown) | 1 | Fascia |
| 2 | Small "U" seals for hotbox side flanges | 1 | Remote control handset |
| 1 | Strip of floor sealing tape | 3 | 'AAA' size batteries (For remote control handset). |
| 1 | Length of foam seal | 3 | 'C' size batteries (For the heat engine) |
| 6 | Fibre plugs | | |
| 4 | Woodscrews | | |
| 4 | Eyebolts | | |



INSTALLER GUIDE

Carefully remove all the contents. Take special care in handling the ceramic fuel effects. Check that all the listed parts are present and in good condition. The pack may contain additional components to that stated above. These can be discarded.

6. FIREPLACE CHECK

6.1 Fireplace check.

6.1.1 Fireplace size

The fireplace must comply with the requirements described in section 4.2. This will probably entail removing the fireback and infill material behind the fireback. The debris catchment area shown in figure 7 must be kept clear of obstructions.

6.1.2 Fireplace general condition

The fireplace floor should be reasonably flat to ensure that the hotbox can be installed without it rocking and so that a good seal

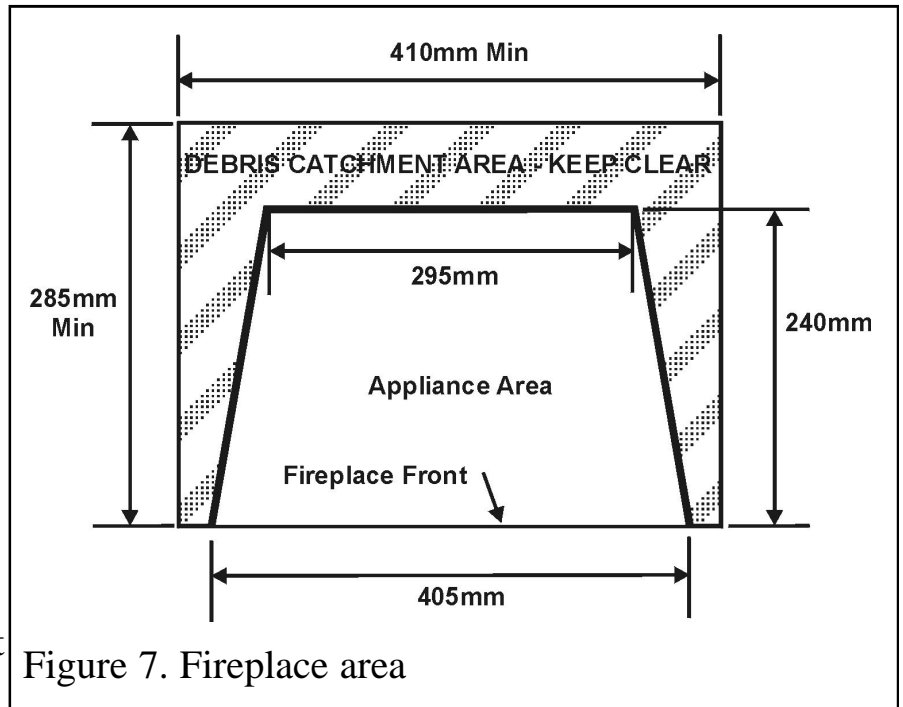


Figure 7. Fireplace area

can be made at the bottom front of the box. The front face of the fireplace should be reasonably flat over the area covered by the hotbox top and side flange seals to ensure good sealing. These faces should be made good if necessary. If the appliance is to be fitted against a wall with combustible cladding, the cladding must be removed from the area covered by the fascia. The cladding must also not touch the fascia (See figure 4). We suggest that the actual fascia is used as a template to mark the area for combustible cladding removal and that this area is increased by at least 2mm all round.

6.1.3 Soundness for appliance attachment

Two primary methods of retaining the appliance are provided: -

- 1) By fixing to the fireplace front surround.
- 2) Using concealed tension cables fixed to the rear of the fireplace opening together with secondary fixing to the fireplace floor.

The methods are detailed in section 10 of this manual. Before selecting the retention method, consult with the customer. Method 2 is provided for instances where drilling holes in the front surface of the fireplace surround is unacceptable to the customer or otherwise impractical. *N.B. It is unwise to attempt to drill into marble without the proper tools and equipment.*

If method 1 is chosen, make sure that the front surround area is sound enough to take

INSTALLER GUIDE

the fibre plugs and woodscrews. If necessary, make sound with a suitable cement. If method 2 is chosen, make sure that the areas at the back and towards the centre of the fireplace floor are sound enough to take the eyebolts and screws. If these areas have deteriorated due to prolonged use, they should be made sound with a suitable cement.

6.1.4 Installations using a metal flue box

The whole of the top surface of the metal flue box must be covered with a 100mm layer of mineral wool or equivalent insulation (See figure 2).

6.2 Fireplace flue pull.

Close all doors and windows in the room in which the appliance is to be installed. After confirming with a match that smoke is drawn into the flue, light a 13 gram smoke pellet and check that there is a definite flow through the flue. Verify outside that the smoke exits from one terminal only and that the termination is suitable. Observe where possible, upstairs rooms and loft spaces for signs of escaping smoke indicating a defective flue. If there is not a definite flow warm the flue for a few minutes and repeat the smoke pellet test. If there is still no definite flow the flue may need remedial work – **Do not fit the appliance until there is a definite flow through the flue.**

7. IGNITION CHECK

Before attempting to install, it is worth checking that the ignition system performs satisfactorily.

7.1 Fitting batteries to the remote control handset.

The remote control handset is battery powered. There are three 'AAA' size batteries supplied. Remove the rear battery compartment cover from the remote control handset. To do this push the tab towards the bottom of the handset and lift (See figure 8). Fit the batteries in to the handset taking care to locate them correctly. It is important that the + and - symbols on the battery match those of the illustration inside the battery compartment. With the batteries inserted the display screen on the handset will now display the room temperature in degrees centigrade and the word 'OFF' in the top left hand corner.

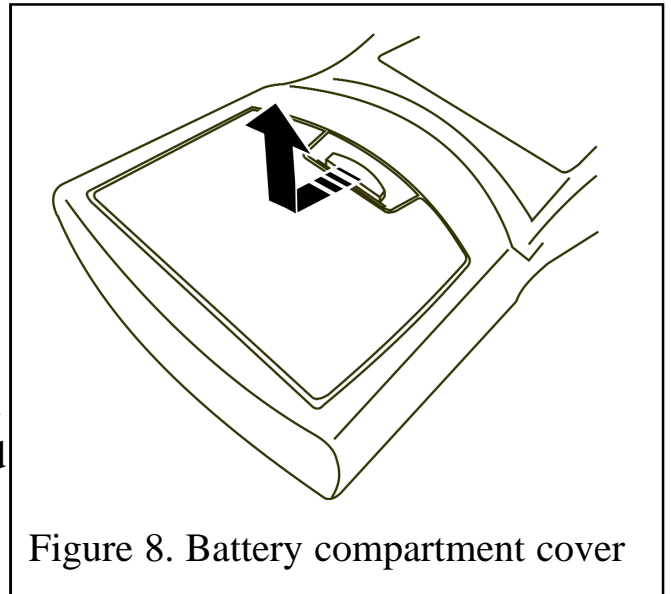


Figure 8. Battery compartment cover


INSTALLER GUIDE



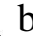

7.2 Fitting batteries to the heat engine.

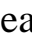
The gas valve on the heat engine is battery powered. There are three 'C' size batteries supplied. Fit the batteries into the battery holder on the front right hand side of the heat engine. It is important that the + and - symbols on the battery match those of the illustration inside the battery holder.

7.3 Setting the handset and receiver relationship.

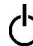
The handset and receiver unit on the fire will not communicate unless the following procedure is completed. Ensure that sections 7.1 and 7.2 have been completed.

NOTE: Whenever the on-off button  has been pressed the 'ON' word will flash on the handset screen for 5 seconds and return to 'OFF' if no other buttons are pressed. This is a default in case of the on-off button being pressed accidentally.

- Press the on-off button  (The word 'ON' will now start to flash in the top left hand corner of the display screen).
- Quickly **press and hold** the on-off button , the flame increase  button and the flame decrease  buttons simultaneously.
- Press the 'SET' button.

The L.E.D. light on the bottom left hand side of the fire will illuminate and the clock symbol  will appear for approximately five seconds on the display screen. The remote control handset is now set to operate the fire.

7.4 Checking the ignition operation.

- Press the on-off button  (The word 'ON' will now start to flash in the top left hand corner of the display screen).
- Press the 'SET' button. The L.E.D. light on the bottom left hand side of the fire will illuminate and a small twin flame symbol will flash on the handset. There will be a slight delay and several sparks should be seen between the electrode and pilot tip. If there are no sparks check the following: -
 - Repeat section 7.3 ensuring that the L.E.D. light on the bottom left hand side of the fire illuminates when the 'SET' button is pressed.
 - Ensure that the electrode lead is connected to the terminal at the base of the electrode.
 - If the above is correct, check for damage to the electrode lead.

INSTALLER GUIDE

8. GAS SUPPLY CONNECTION

A nut and olive are provided for an 8mm pipe inlet connection to the 'T' connector at the bottom front of the appliance. The 'T' connector can be rotated to allow a connection from any rear-concealed connection. The 'T' connector includes a valve for isolating the gas supply and a pressure test point.

The supply pipe must be rigid material. Flexible pipe must not be used.

Concealed supply pipe connection.

If a concealed connection from inside the fireplace is required then, **before the appliance is fitted into the fireplace** it will be necessary to extend the supply line so that it will project through the hole in the back of the hotbox and run to the 'T' connector at the front. The pipe run from the supply line up to the rear opening in the hotbox must be kept away from the area which will be taken by the hotbox when it is installed. Note that the centre of the appliance inlet 'T' connector is 25mm above the fireplace floor. The inlet 'T' connector should be fitted to the supply pipe at this stage.

9. PREPARING APPLIANCE FOR INSTALLATION

1. Detach the spillage plate from the hotbox by removing the four screws (See figure 9).

2. Remove the protective film (Where fitted) from the spillage plate. Place the spillage plate in a safe place away from the work area.

3. Remove the six screws from the side of the inner reflector (See figure 10).

4. Carefully lift the inner reflector and pull forward to remove. **Be careful not to scratch the top surface of the burner cover (See figure 10). The reflector may 'spring' a little. For this reason it is important to hold the edges firmly when removing.**

5. Remove the protective film from the inner reflector. Place the inner reflector in a safe place away from the work area.

6. Remove the two screws to the side of the burner cover (See figure 11)

7. Detach the burner cover by lifting clear of the burner module (See figure 11)

8. Remove the protective film (Where fitted) from the burner cover. Place the burner cover in a safe place away from the work area.

9. Detach the burner unit from the hotbox by lifting clear.

10. Fit the two "U" section seals to the bottom edges of the hotbox side flanges (See figure 12).

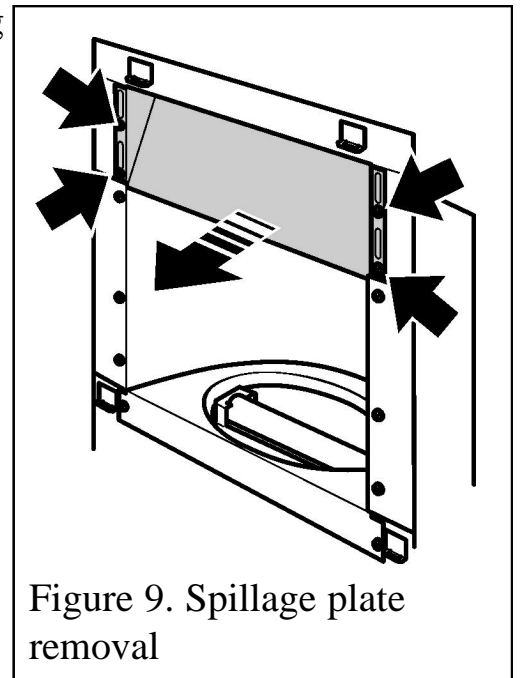


Figure 9. Spillage plate removal

INSTALLER GUIDE

11. It is important that the grommet supplied in the loose parts pack is fitted to the hole in the rear of the convection box.

12. For concealed connection only: Pierce the grommet to allow the pipe to pass through it. The grommet should envelop the pipe. If the hole is larger than the pipe, seal it with tape. **Do not pierce the grommet unless the supply pipe is to pass through it.**

13. The appliance is supplied with two fireback spacers. **Do not fit the fireback spacers if the fire is to be installed into a precast or clay flue block system as in section 4.2.3.** These should

extend backwards to ensure sufficient clearance from the back of the fireplace. Remove the label and retaining screws from the rear sides of the hotbox. Position the fireback spacer as shown in figure 13. Secure the fireback spacers using the screws removed previously and the two supplied with the fire.

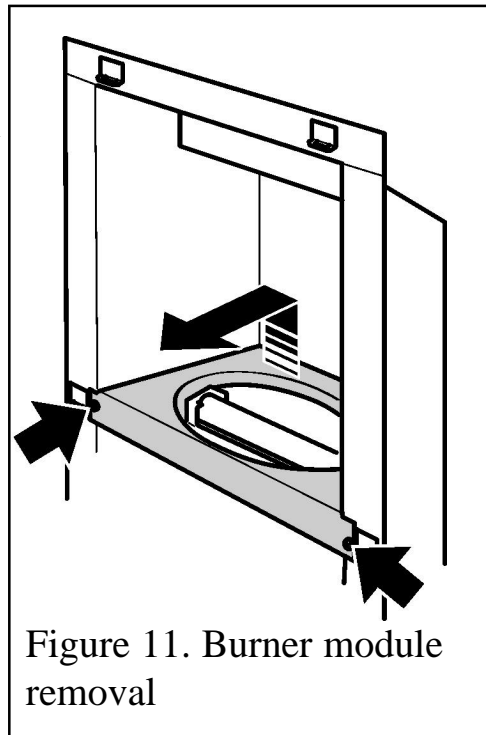


Figure 11. Burner module removal

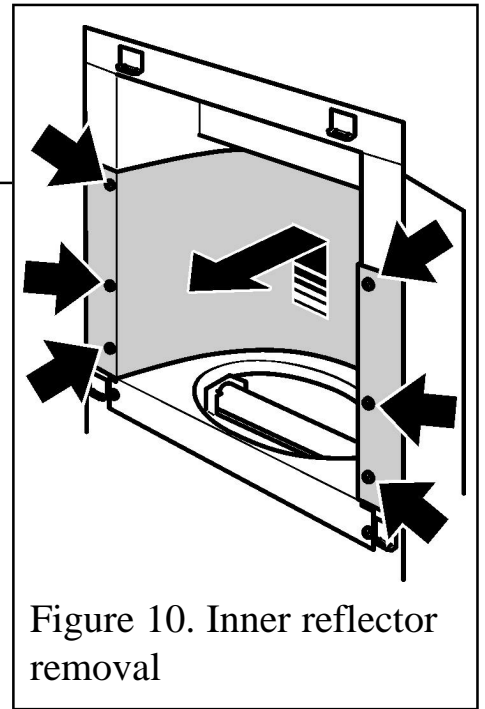
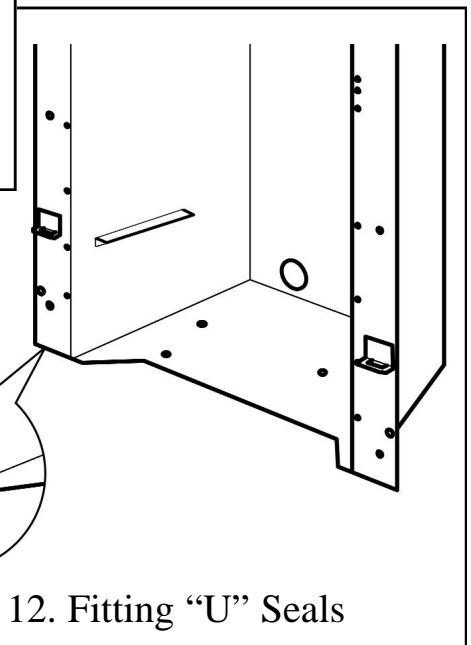


Figure 10. Inner reflector removal



Fireback 12. Fitting "U" Seals

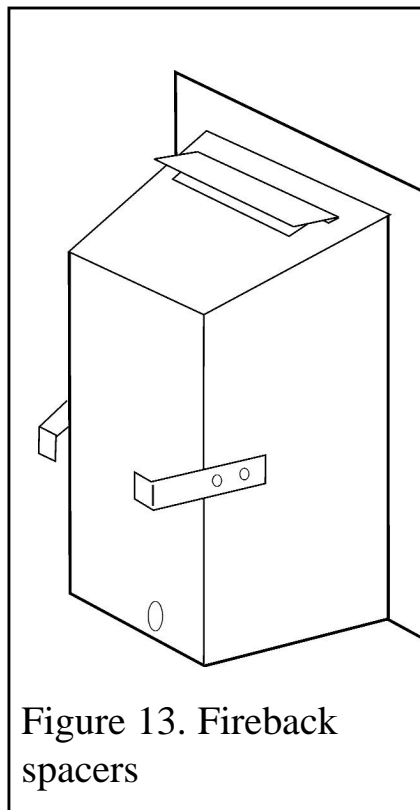


Figure 13. Fireback spacers

INSTALLER GUIDE

14. This appliance is supplied with a flue restrictor for use where the flue draught is excessive. The restrictor must NOT be fitted where a precast flue or a flue liner is used. For all other installations the restrictor should be fitted. There may however, be certain exceptional circumstances where fitting the restrictor causes the fire to fail the spillage test. In such cases the restrictor will have to be removed. After removal conduct the spillage check again.

The restrictor is packed loose with the appliance and is fixed with two screws (See figure 14). The restrictor has two

location holes and a notch along one edge. It is important that the notch is positioned to the top (See figure 14).

15. There is a length of self adhesive foam seal supplied with the fire. This will need to be fitted to the outer rear edges of the side and top flanges of the hotbox. Cut a 485mm length of foam seal. Be careful not to stretch the seal when measuring. Remove the protective backing from the foam seal and fit this to the rear of the top flange (See figure 15). Cut two 580mm lengths. Fit these to the rear outer edges of the side flanges. Ensure that there is no gap between the foam seals where they meet at the top flange (See figure 15).

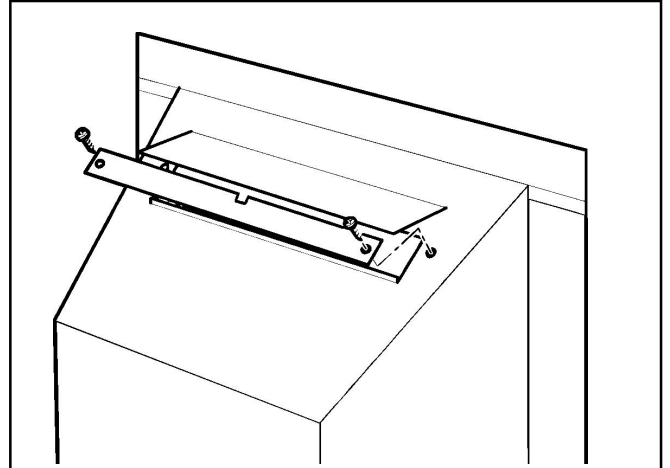


Figure 14. Flue restrictor

The Foam Seal should touch at this point.
Ensure that there is no gap between the seals

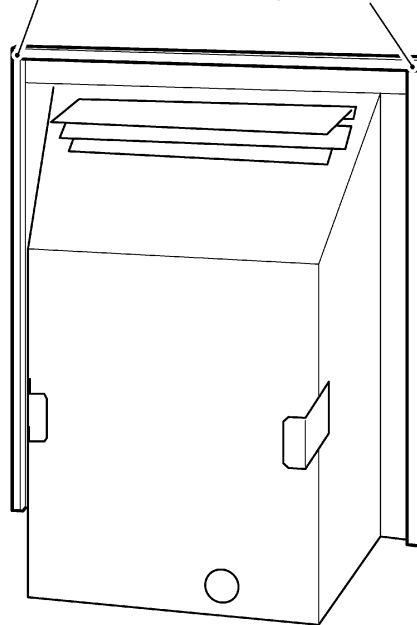


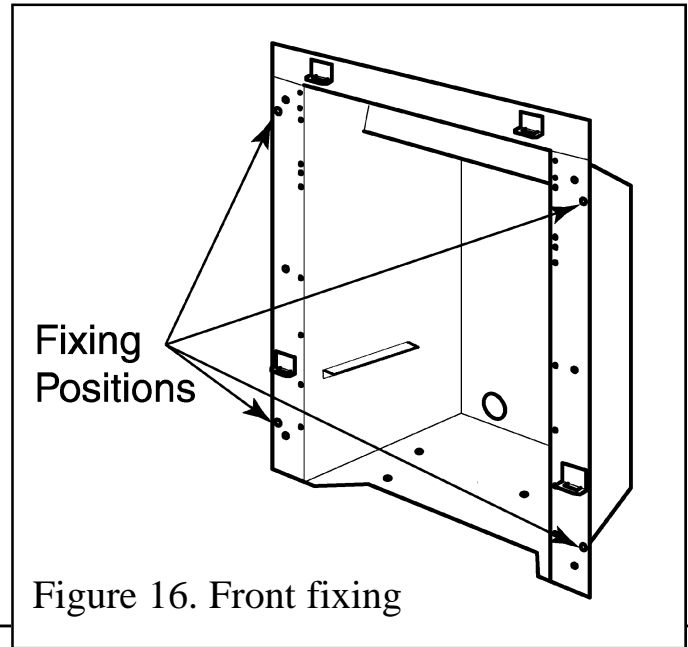
Figure 15. Fitting the foam seal

INSTALLER GUIDE

10. HOTBOX INSTALLATION

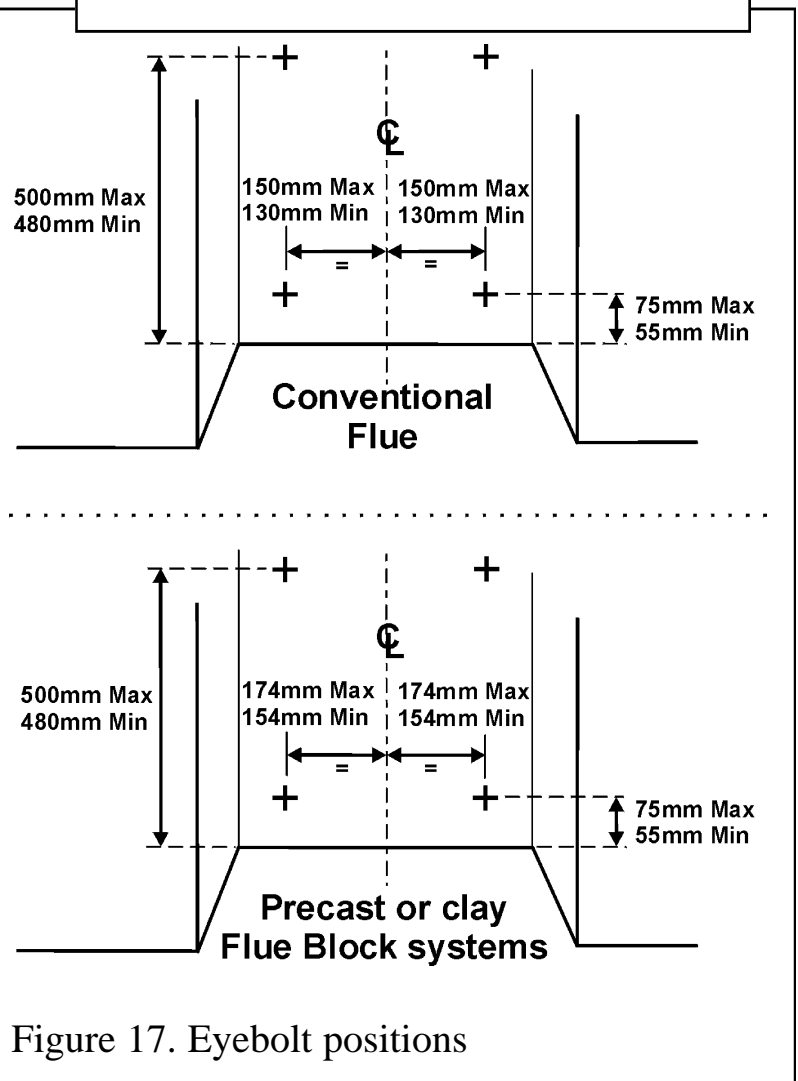
10.1 Method 1 - Front fixing to fireplace surround.

1. Make sure that the fireplace front surround area is sound enough to take the fibre plugs and woodscrews. If necessary, make sound with a suitable cement.
2. Place the hotbox centrally in the fireplace in the position in which it is to be permanently installed. If a concealed connection is being used, insert the hotbox into the fireplace feeding the supply pipe through the pierced hole in the rear grommet.
3. Mark the fireplace front surround through the four fixing holes in the side flanges of the hotbox (See figure 16).
4. Remove the hotbox. Drill four holes in the fireplace front surround at the marked positions using a no.12 masonry drill.
5. Insert a fibre plug into each hole.
6. Place the hotbox back in position in the fireplace.
7. Fit a woodscrew through each hole in the hotbox flanges and tighten to seal the box to the fireplace surround.



10.2 Method 2 - Cable retention and floor fixing.

1. Make sure that the relevant areas at the fireplace back or floor are sound enough to take the eyebolts and screws. If these areas have deteriorated due to prolonged use they should be made sound with a suitable cement.
2. Drill four holes in the rear wall of the fireplace for the fibre plugs. The holes should be drilled within the range of positions shown in figure 17 using a no.12 masonry drill. The holes should be equidistant each side of the



INSTALLER GUIDE

centre line of the fireplace to ensure that the appliance finishes centrally in the opening when tension is applied to the cables.

3. Insert a fibre plug into each hole. Use the fibre plugs supplied with this appliance - **Never use plastic plugs instead of the fibre plugs supplied.** Screw the eyebolts into the plugs. Make sure that the bolts are secure.

4. Place the hotbox unit close to the fireplace but allow sufficient access into the fireplace opening so that the cables can be threaded through the eyebolts and returned through the back of the hotbox. If a concealed connection is being used, insert the hotbox into the fireplace feeding the supply pipe through the pierced hole in the rear grommet.

5. The hotbox has two holes at each side of the spillage plate. Insert one end of each cable (one cable each side) from the back through the lower of the two holes and return the end through the upper of the holes (See figure 18). Give the cables a pull so that they grip against the hotbox flanges.

6. Thread the cables through the eyebolts. Return the cables through the holes near the bottom of the hotbox back panel (See figure 19) (**For precast or clay block flue systems return the cables through the slotted holes in the side of the hotbox**).

7. Place the hotbox fully back into the fireplace opening so that it is sealed against the fireplace front surround.

8. Drill a hole into the fireplace floor through each of the two holes in the base of the hotbox using a no.12 masonry drill (See figure 20).

9. Insert a fibre plug into each hole. Use the fibre plugs supplied with this appliance - **Never use plastic plugs instead of the fibre plugs supplied.** Fit a woodscrew in each plug and tighten.

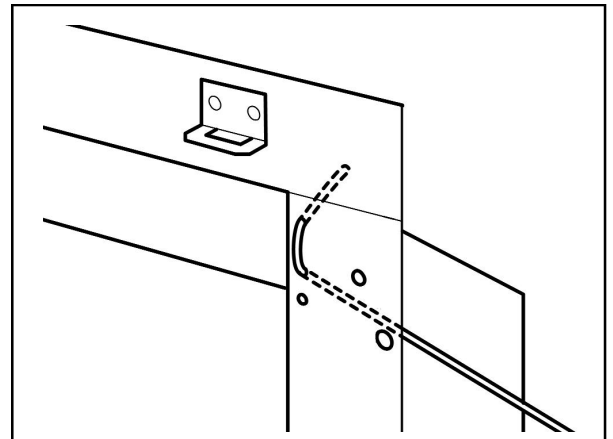


Figure 18. Upper cable retention

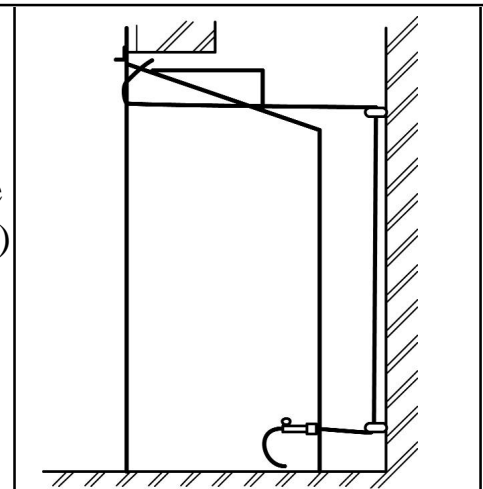


Figure 19. Cable route

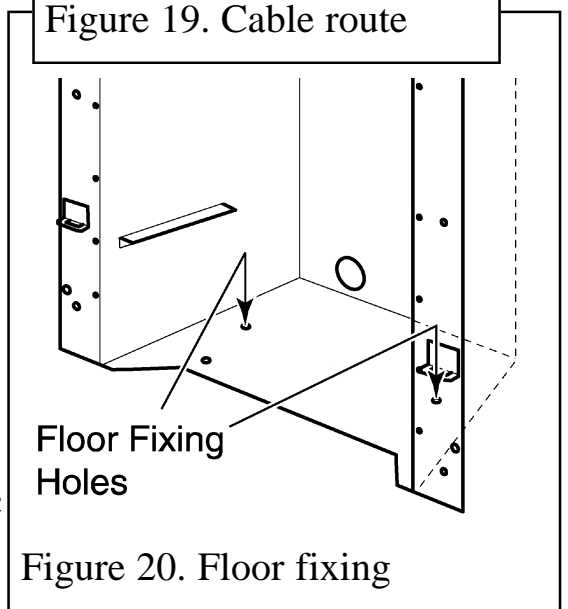


Figure 20. Floor fixing

Always screw the base into position before applying tension to the cables. This will ensure a tight seal between the top of the hotbox and wall

10. Fit a cable retainer over the bottom end of each cable.

INSTALLER GUIDE

11. Pull each cable taut. Push the cable retainers hard up against the back panel. The end of the cable adjuster will pass into the hole. Tighten the screws in the retainers so that they clamp the cables in position. Apply tension to the cables by turning the hexagonal adjusters by hand (See figure 21).

12. Inspect the installation of the hotbox against the fireplace surround. If the hotbox is aligned squarely and the sealing is satisfactory, fully tighten the cable retainers.

13. If the hotbox is not correctly aligned, release the tension on the cables by slackening the screws and turning the hexagonal adjusters fully anticlockwise. The hotbox should then automatically realign itself. Pull each cable taut again and push the cable retainers back against the back panel. Again, tighten the screws in the retainers and apply tension to the cables by turning the hexagonal adjusters clockwise as far as possible.

14. Feed the free length of the cables into the gap between the inner and outer back panels so that they are available to allow easy removal and refitting of the appliance during subsequent service calls. ***Do not cut off the free lengths of cable.*** On precast flue installations feed the cables into the small holes at the base of the side panels.

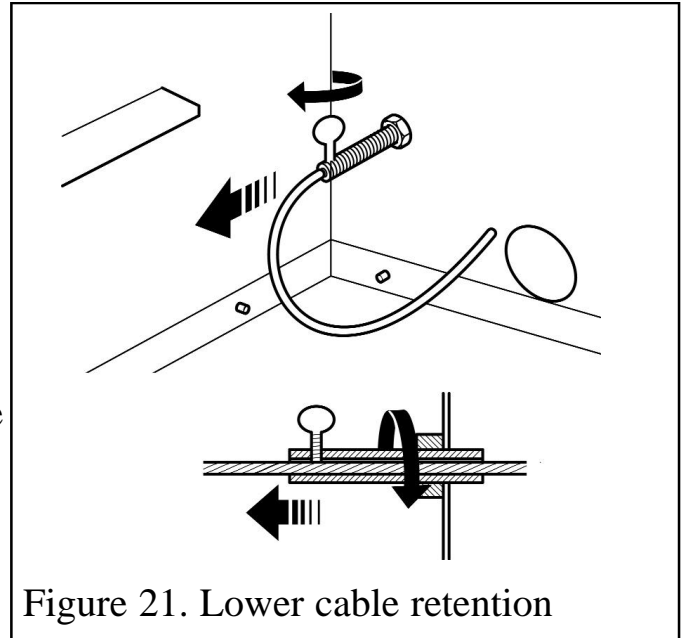


Figure 21. Lower cable retention

10.3 Sealing floor front - all installations.

Using the floor sealing tape supplied, seal the bottom of the hotbox to the fireplace and hearth floor (See figure 22).

Make sure that the whole length of the front edge of the hotbox is fully sealed.

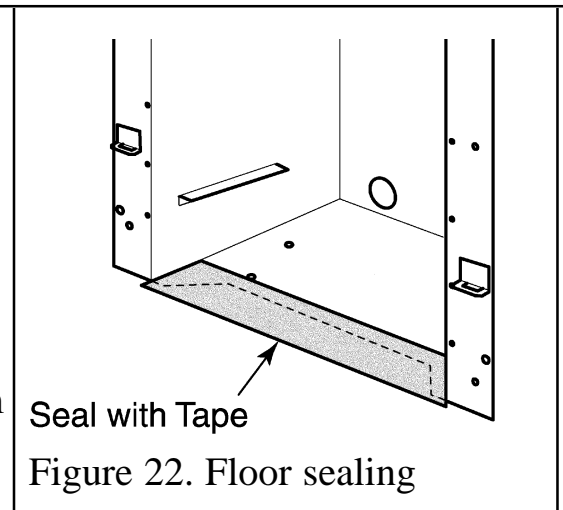


Figure 22. Floor sealing

11. BURNER & SUPPLY PIPE INSTALLATION

11.1 Fitting the burner.

1. Place the burner module into the hotbox.
2. Refit the burner cover by lowering it onto the burner module. The front edge of the burner cover should locate in front of the burner module. The sides of the burner cover should locate behind the front of the burner module. Secure with two screws removed previously (See figure 23)
3. Refit the Inner Reflector into the hotbox. Be careful not to scratch the top surface of the burner cover. Secure using six screws removed previously.
4. Refit the spillage plate. Secure using the four screws removed previously.

11.2 Supply pipe installation.

A nut and olive is provided for an 8mm-pipe inlet connection directly to the gas control. The isolating 'T' connector can be rotated to allow a connection from any direction. The 'T' connector includes a valve for isolating the gas supply.

The supply pipe must be rigid material. Flexible pipe must not be used. Connect the supply line to the appliance.

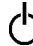
Turn on the gas supply and pressure check the installation pipework for gas soundness. In the United Kingdom (GB) check in accordance with the current edition of BS 6891. In the Republic of Ireland check in accordance with the current edition of IS 813 "Domestic Gas Installations"

11.3 Preliminary burner checks.

Some burner operations can be checked at this stage. Checking now will mean that less disassembly will be required if any problems are found. ***A full check should still be made, however, after final installation.***

11.3.1 Lighting the fire.

If closed, open the isolating 'T' connector valve.

- Press the on-off button  on the remote control handset (The word 'ON' will now start to flash in the top left hand corner of the display screen).
- Press the 'SET' button. The L.E.D. light on the bottom left hand side of the fire will illuminate and a small twin flame symbol will flash on the handset. The flame symbol will stop flashing when the ignition sequence has been completed. When the 'SET' button is pressed there will be a slight delay and several sparks should be seen between

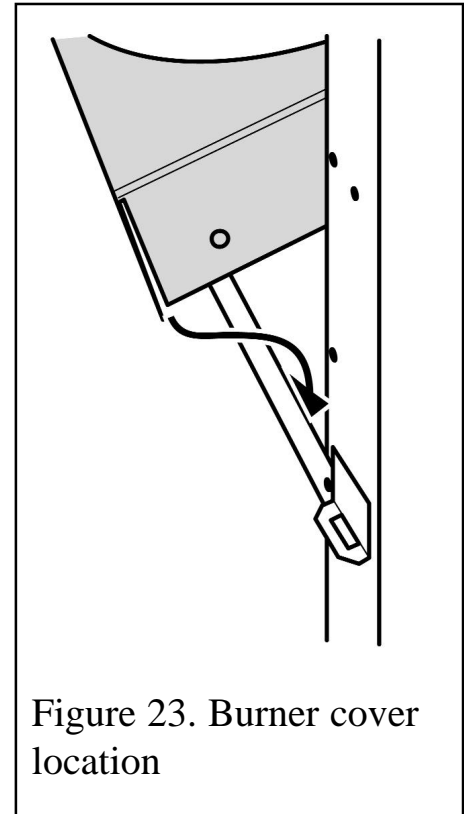



Figure 23. Burner cover location



INSTALLER GUIDE

the electrode and pilot tip. These should ignite the gas at the pilot and burner. If the pilot and burner do not light then the fire will have to be turned off before attempting to light again. See section 11.3.2 below. Repeat the lighting procedure. The pilot and burner should now light although air in the pipes may mean that the above procedure needs to be repeated several times. The burner always lights on the low heat setting.

11.3.2 To turn off.

- **Press** the on-off button  (The word 'OFF' will now start to flash in the top left hand corner of the display screen).
- **Press** the 'SET' button. The red L.E.D. light on the bottom left hand side of the fire will illuminate. The word 'OFF' will now be displayed.

11.3.3 Burner operation.

Once the fire is lit the handset will display the word 'ON' and a small twin flame symbol. The burner flame can be increased by pressing the  button and decreased by pressing the  button. There are three heat settings to choose from and these are shown on the handset by flame size. The L.E.D. light on the bottom left hand side of the fire will illuminate to confirm that each signal has been received.

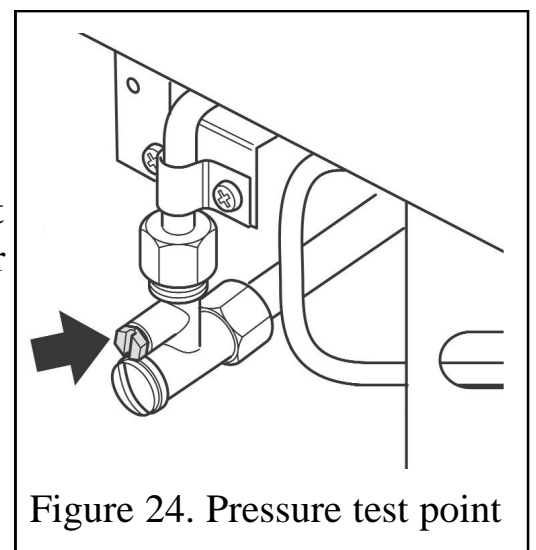
11.3.4 Installing more than one 755 model in the same room.

Once the remote control handset is set and operating correctly it will be necessary to deactivate the 'learning' sequence from the control box on the fire. This will prevent the fire from 'learning' another remote control signal. If this isn't turned off then both fires will respond to the same remote control handset. To do this, remove the two forward facing screws from above the control box. Gently rotate the control box bracket to gain access to the right side of the control box. Be careful not to pull the box as this may cause disconnection of plugs / wires from the back of the box. At the top of the box is a switch marked 'ON' (See figure 45). Slide the switch from its current position. Replace the control box using the two screws removed previously.

11.4 Check inlet pressure.

The appliance is pre-set to give the correct heat input at the inlet pressure shown in section 2 of this manual. No adjustment is necessary.

1. Check the inlet pressure by fitting a pressure gauge at the test point. The test point is on the inlet 'T' connector (See figure 24). Check the pressure with the appliance alight and set at maximum output.
2. After checking, turn off the appliance. Remove the pressure gauge and replace the test point sealing screw.
3. Relight the appliance. Turn to the maximum output



INSTALLER GUIDE

position and test around the sealing screw for gas soundness with a suitable leak detection fluid.

11.5 Fitting the lower hotbox baffle.

The lower hotbox baffle is supplied for use when fitting the appliance into elevated builders openings or 'Hole in the wall' installations.

1. Locate the baffle behind the control knob bracket as in figure 25.
2. Secure the baffle using the screw supplied.

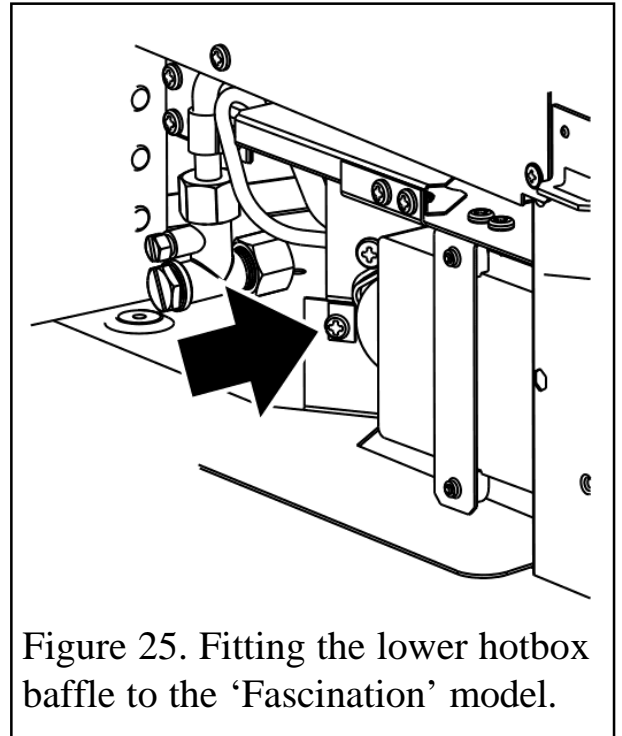


Figure 25. Fitting the lower hotbox baffle to the 'Fascination' model.

12. FITTING THE CERAMIC FUEL EFFECT

The installer and owner guide for the ceramic fuel effect is supplied with the ceramic fuel effect. It is important that the guide for the ceramic fuel effect be placed inside or attached to this guide and handed to the customer following completion of the 'final review' section.

13. FULL OPERATING CHECKS

13.1 Check the handset and burner operation.

Repeat the checks conducted in section 11.3.1 to 11.3.3.

Please note:

When first turned on from cold, the flames will appear predominantly blue.

When operating the fire for the first time, some vapours may be given off which could set off smoke alarms in the vicinity. These vapours are quite normal with new appliances. They are totally harmless and will disappear after a few hours use.

13.2 Check for spillage.

A spillage check must be made before leaving the installed appliance with the customer. Make this with all the ceramic fuel effect pieces in position.

1. Close all doors and windows in the room containing the appliance.
2. Light the appliance and set the control to the 'High' position.
3. Leave the appliance on for five minutes.

INSTALLER GUIDE

4. The smoke match should be placed horizontally into the hotbox at the right hand side (See figure 26).

The installation is satisfactory if the smoke is drawn into the appliance.

If the smoke is not drawn into the appliance leave the appliance alight at the maximum setting for a further ten minutes and then repeat the test. If the smoke is still not drawn into the appliance inspect the sealing to the fireplace surround. If the sealing is satisfactory but the appliance is installed with the flue restrictor (See section 9 point 14) remove the restrictor, reseal the appliance and retest. If smoke is still not drawn into the appliance **disconnect the appliance and seek expert advice.**

5. If the above test is satisfactory open all internal connecting doors, hatches, etc. in the room. Keep all doors and windows that open to the outside of the building closed. Recheck for spillage as above. If an extractor fan is installed in the same room as the appliance or a connecting room, check that spillage does not occur with the fan operating and all doors and other openings between the fan and the appliance open.

If the smoke is drawn into the appliance, continue with the installation. If the test is not satisfactory **disconnect the appliance and advise the customer of the cause of failure.**

13.3 Flame supervision and spillage monitoring system.

This pilot unit includes a system that will automatically shut off the gas supply if the pilot flame goes out or if there is insufficient oxygen due to spillage or poor ventilation. **This monitoring system must not be adjusted, bypassed or put out of operation. This monitoring system or any of its parts must only be exchanged using Baxi Fires Division authorised parts.**

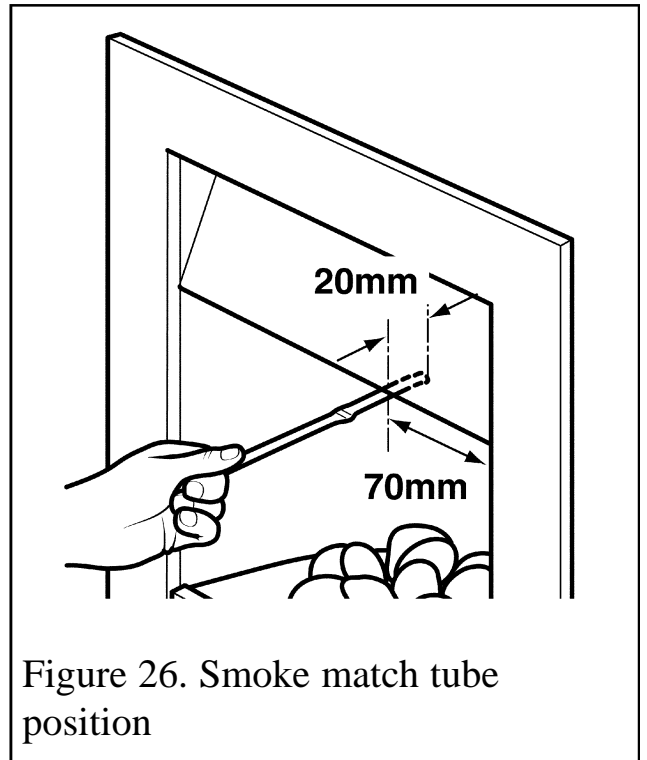


Figure 26. Smoke match tube position

INSTALLER GUIDE

14. FASCIA INSTALLATION

Important: Before fitting the fascia complete section 13 as this will not be possible with the fascia fitted.

1. Remove any protective film from the fascia.
2. Lay the fascia frame on a flat surface with its front facing up.
3. The fascia decorative trim is made up of four sections. A bottom and top section of equal length and two shorter sections of equal length that are the side sections. These can be identified as in figure 27.
4. Remove any protective film from the trim sections.
5. Locate the side trims as in figure 28.
6. Locate the bottom and top trims as in figure 29.

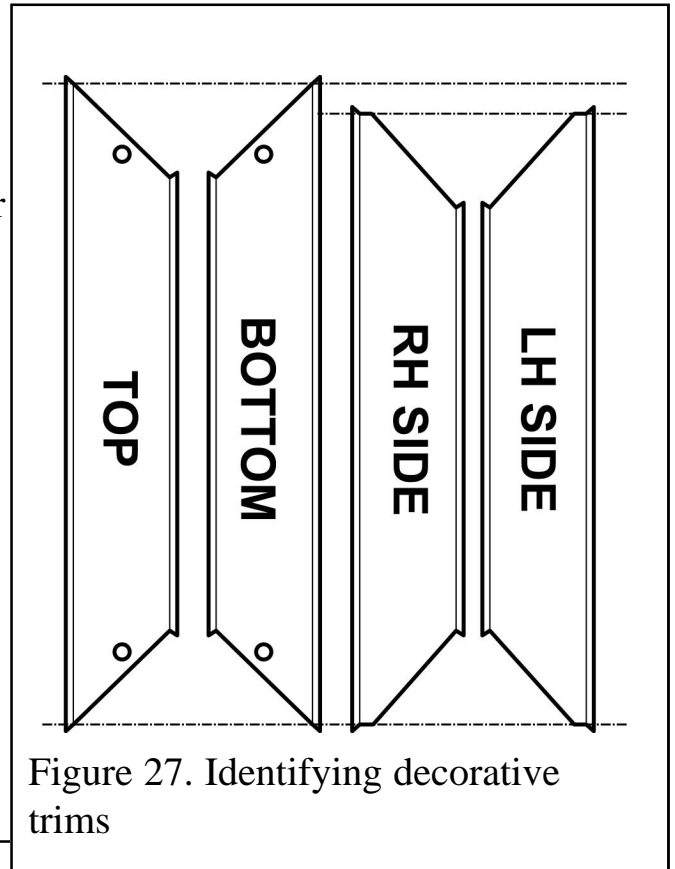


Figure 27. Identifying decorative trims

7. (See figure 30) Supplied with the trim pack are four cylindrical spacers and four screws to secure them in place. The spacers also secure the fascia trims in place. Place the spacers over the holes in the trim / fascia. Secure in place with the screws supplied (Do not use the mirror screws as these are for the front of the fascia. These have a countersunk head that has a threaded hole in the centre).

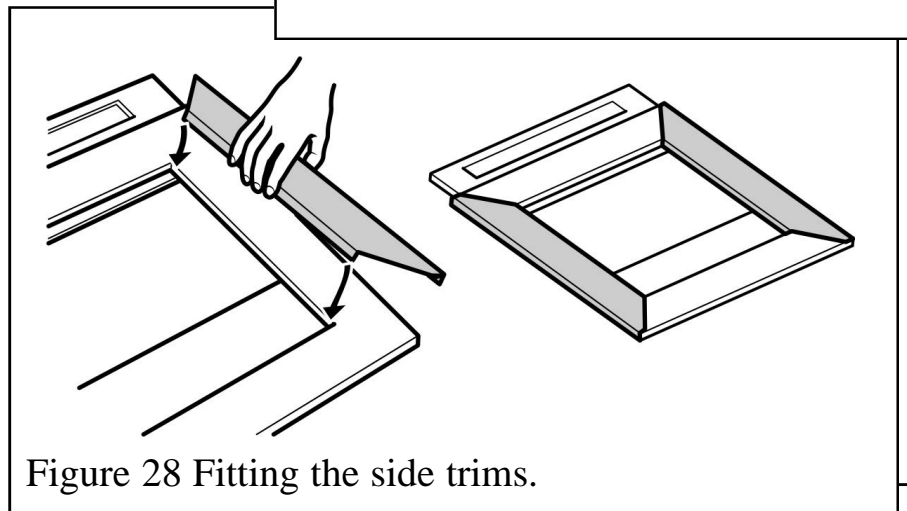


Figure 28 Fitting the side trims.

8. Ensure that the fascia is layed on a flat surface with its front facing up. Carefully unpack the fascia glass panel.
9. Locate the glass panel onto the spacers. Align the holes in the glass with the spacers.
10. Supplied with the trim pack are four nylon grommets. Locate a nylon grommet into each hole in the glass panel.

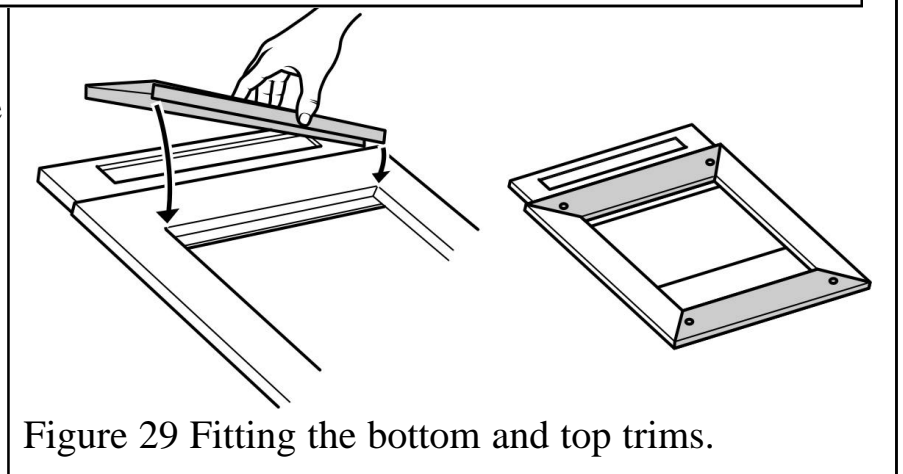


Figure 29 Fitting the bottom and top trims.

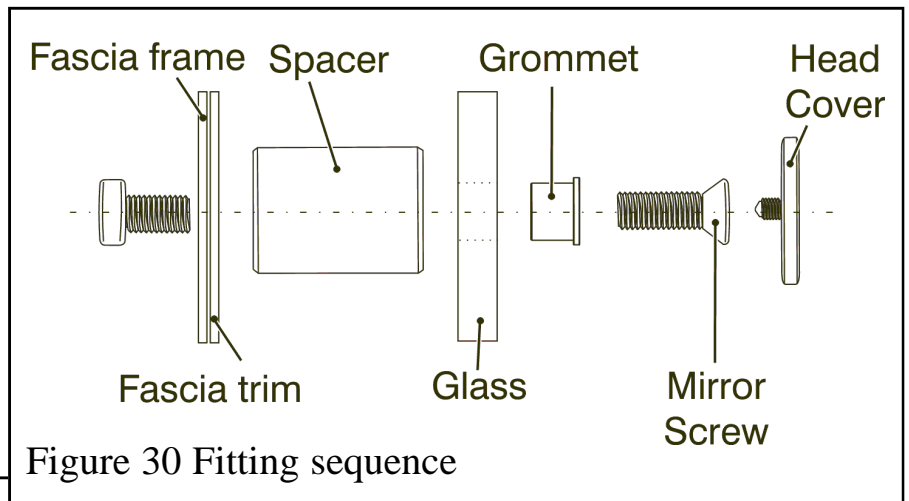
11. Supplied with the trim pack

INSTALLER GUIDE

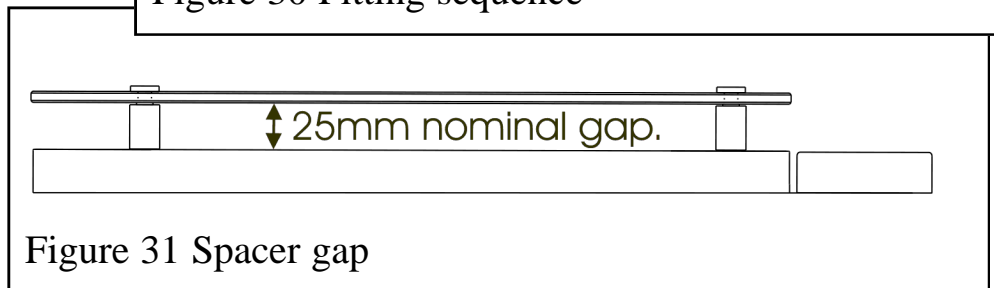
are four 'mirror' screws. These have a countersunk head that has a threaded hole in the centre. Secure the glass panel in place with the four 'mirror' screws supplied.

Important - Do not over tighten the screws. The screws only need to be tightened sufficiently to retain the glass panel. Excess pressure may cause the glass panel to break.

12. Supplied with the trim pack are four head covers for the 'mirror' screws. Locate these by placing onto the heads of the 'mirror' screws and turning clockwise.



Important: The spacers provided with the trim pack must always be fitted. Never reduce the depth of the spacers in any way. Always replace the spacers with authorised spares (See figure 31).



INSTALLER GUIDE

15. FINAL REVIEW

1. Visually inspect the appliance. Clean off any marks incurred during installation. The fire should be 'off' and allowed to cool completely before cleaning.

Metal parts.

- Clean the metal parts with a slightly damp lint free non-abrasive cloth and then dry.
- Do not use abrasive cleaners as these will scratch the fire surface.
- **Fascia** - Clean the metal parts with a slightly damp cloth and then dry. If this does not work apply a very small amount of 'baby oil' to a lint free non-abrasive cloth and wipe over the surface. Use a clean cloth to wipe off the oil.

Glass parts.

- Marks and stains on the glass can be removed using non-abrasive glass cleaner. Non-abrasive ceramic hob cleaner can be used to remove stains.

2. Advise the customer how to operate the appliance. Point out that lighting instruction details are contained in the Owner guide. Explain to the customer that the appliance has a flame failure & spillage monitoring system. Point out the explanation of this system shown in the owner guide under "Operating the fire". Advise that if the fire goes out for any reason; wait at least three minutes before relighting. Stress that if the monitoring system repeatedly shuts off the fire, the appliance should be switched off and a specialist should be consulted.

3. Advise the customer that they should read their owner guide before operating the fire and always follow the advice in the section headed "Cleaning your fire".

4. Stress that no extra fuel effect pieces must be added over and above those supplied with the appliance and that any replacements must only be the authorised spares. Warn that ignoring this advice could cause incomplete clearance of the products of combustion with consequent health hazards.

5. Advise the customer that the appliance will operate to its maximum potential if the flue is primed during the first 20 – 30 minutes of use. To do this, simply turn the control to its 'HIGH' setting. This will also burn off any carbon deposits that may have formed during previous use.

If using the appliance for long periods it is beneficial to change between settings. This will also help to remove any carbon deposits that may form during use.

6. Recommend that the appliance should be serviced by a competent person at least annually.

7. If the appliance is in premises in the United Kingdom occupied by a tenant, point out that by law a landlord must have any gas appliance, flue and pipework which is situated in a tenant's premises checked for safety at least every 12 months.

8. Advise that the fire may give off a slight odour while new. This is quite normal and

INSTALLER GUIDE

it will disappear after a short period of use.

9. Inform the customer that the Serial number for the appliance is located on the data label located behind the lower cover and attached underneath the burner module.

10. Hand the literature pack with this guide to the customer. Place inside or attach the instruction guide supplied with the ceramic fuel effect to this guide.

16. SERVICING & PARTS REPLACEMENT

Always turn off the gas supply and remove the batteries from behind the fascia lower access panel before commencing any servicing (The appliance inlet “T” connector incorporates an isolating valve).

It is recommended that, at least once a year, the appliance is disconnected and the fireplace opening checked and cleared of any debris.

This product uses fuel effect pieces containing Refractory Ceramic Fibres (RCF), which are man-made vitreous silicate fibres. Excessive exposure to these materials may cause irritation to eyes, skin and respiratory tract. Consequently, it is important to take care when handling these articles to ensure that the release of dust is kept to a minimum. To ensure that the release of fibres from these RCF articles is kept to a minimum, during installation and servicing we recommend that you use a HEPA filtered vacuum to remove any dust and soot accumulated in and around the fire before and after working on the fire. When replacing these articles we recommend that the replaced items are not broken up, but are sealed within a heavy duty polythene bag, clearly labelled as RCF waste. RCF waste is classed as a stable, non-reactive hazardous waste and may be disposed at a landfill licensed to accept such waste. Protective clothing is not required when handling these articles, but we recommend you follow the normal hygiene rules of not smoking, eating or drinking in the work area and always wash your hands before eating or drinking.

- Check that the appliance is clean and that soot or debris is not blocking the gaps between the ceramic fuel effect pieces causing an imperfect flame.
- Check that soot or debris is not impairing the electrode spark or pilot burner.
- Check that soot or debris is not blocking any of the holes in the main burner.
- After servicing, make sure that the ceramic fuel effect pieces are replaced correctly as described in the installation instructions supplied with the ceramic fuel effect.
- **Always test for gas soundness and spillage after servicing the appliance.**

INSTALLER GUIDE

16.1 To remove the fascia.

1. The fascia is held in place by four retaining plates at the back of the fascia. These slot into four retaining brackets on the hotbox. To remove the fascia, hold the sides of the fascia and lift upward and forward. The fascia should lift clear of the hotbox (See figure 32)
2. Replace in the reverse order

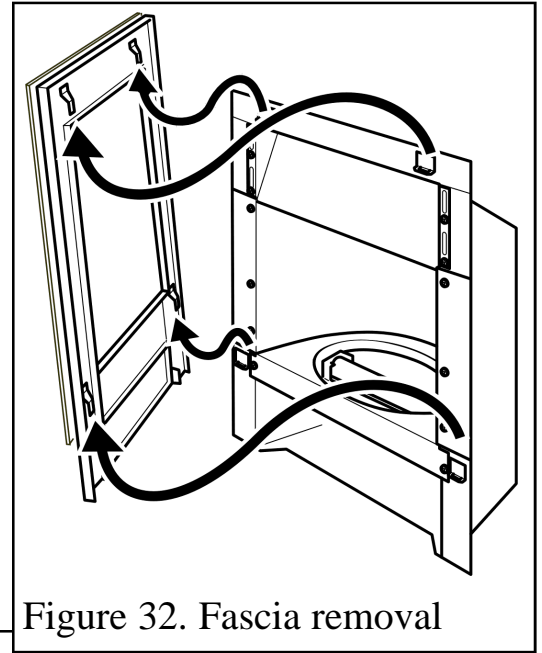


Figure 32. Fascia removal

16.2 To remove the complete burner unit.

1. Remove the fascia as in section 16.1.
2. Remove the ceramic fuel effect pieces.
3. Detach the spillage plate from the hotbox by removing the four screws (See figure 33). Place the spillage plate in a safe place away from the work area.
4. Remove the six screws from the side of the inner reflector (See figure 34).
5. Carefully lift the inner reflector and pull forward to remove.

Be careful not to scratch the top surface of the burner cover. Place the inner reflector in a safe place away from the work area.

6. Remove the two screws to the side of the burner cover (See figure 35)
7. Detach the burner cover by lifting clear of the burner module (See figure 35). Place the burner cover in a safe place away from the work area.
8. Isolate the gas supply at the inlet isolating 'T' connector
9. Support the inlet 'T' connector to avoid straining the pipework and disconnect the appliance from the inlet 'T' connector.
10. Detach the burner unit from the hotbox by lifting clear
11. Replace in the reverse order.

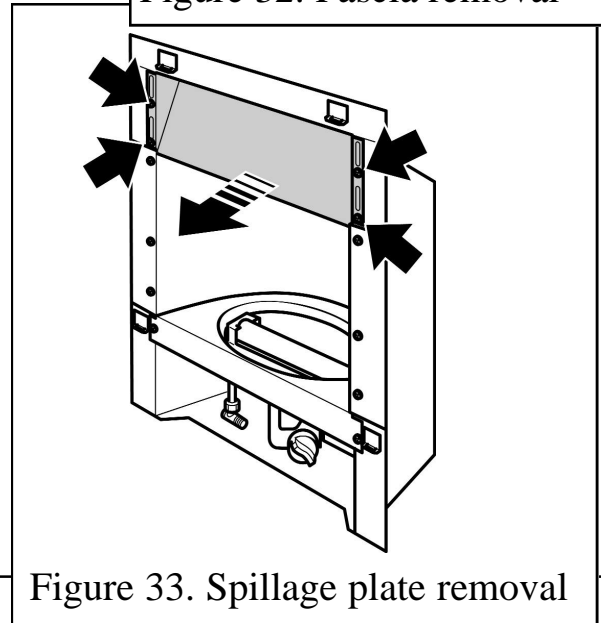


Figure 33. Spillage plate removal

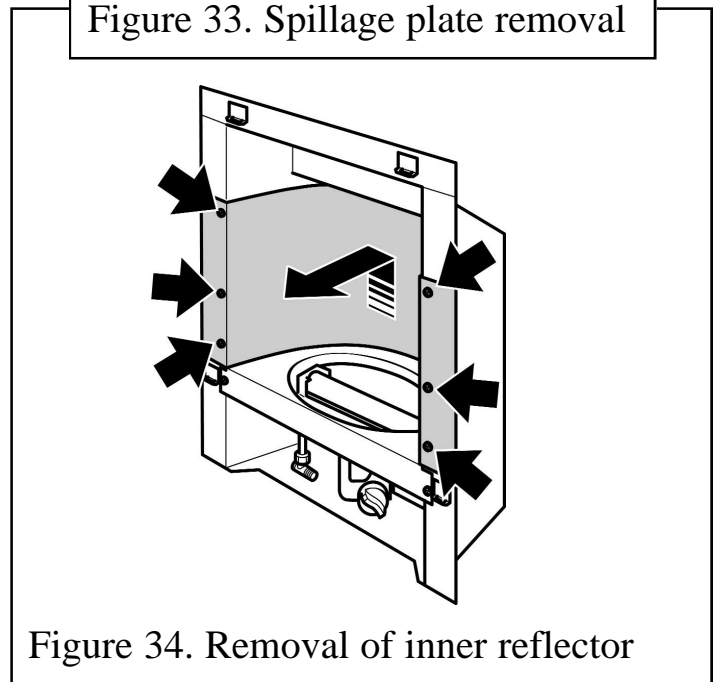


Figure 34. Removal of inner reflector

INSTALLER GUIDE

16.3 To remove the pilot unit.

1. Remove the burner unit (See section 16.2).
2. If lying the burner on its back, ensure that the work surface is suitably protected. This will avoid damage to the work surface.
3. Detach the thermocouple from the gas valve
4. Detach the electrode lead from the underside of the electrode tab.
5. Detach the two thermocouple connections from the electronics box. Pull on the terminal covers, not the wires.
6. Support the pilot at the point closest to the pipe nut. Detach the pilot pipe nut.
7. Remove the two screws securing the pilot unit (See figure 36).
8. Refit in the reverse order. It is important to connect the earth tag as shown in figure 36. When fitting the thermocouple wires back into the electronics box note that there are two different size recepticals. The tags on the electronics box are the best guide for fitting.

Note:

1. *The pilot unit is an atmosphere sensing device. It must be replaced as a whole assembly. Its individual components are not separately replaceable.*

16.4 To remove the gas tap.

(See figure 37).

1. Remove the burner unit (See section 16.2).
2. If lying the burner on its back, ensure that the work surface is suitably protected. This will avoid damage to the work surface. Turn the burner unit upside down. Detach the thermocouple from the tap.
3. Detach the pilot pipe from the tap.
4. Detach the inlet pipe.

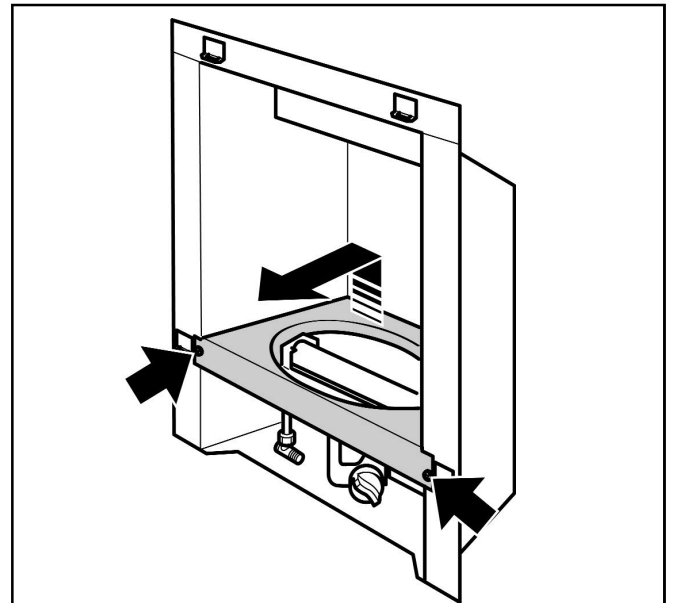


Figure 35. Removal of burner module

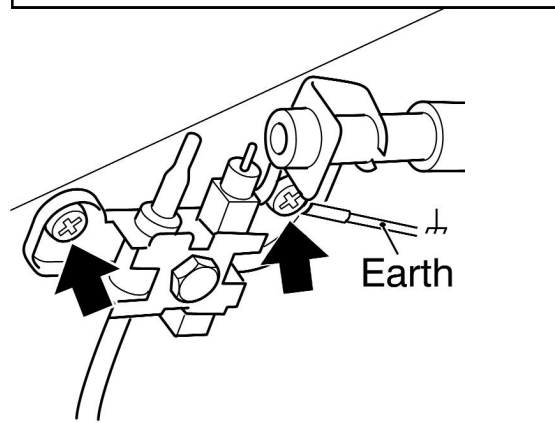


Figure 36. Pilot unit removal

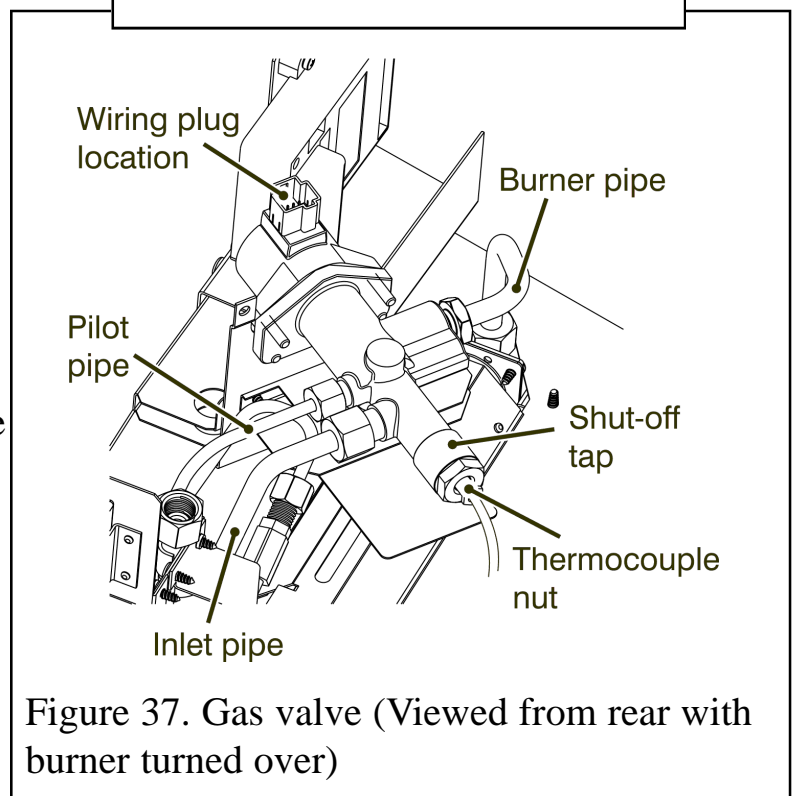


Figure 37. Gas valve (Viewed from rear with burner turned over)

INSTALLER GUIDE

5. Detach the injector pipe.
6. Remove the thermocouple by unscrewing the thermocouple nut at the gas valve.
7. Remove the wiring plug from the top of the motorised head. To do this push the tab in the top of the connector and lift the connector clear of the head. Always hold the connector body when removing. Never pull on the wires (See figure 38).
7. Remove the two screws securing the gas valve to the mounting bracket.
8. Remove the gas tap
9. Refit in the reverse order.

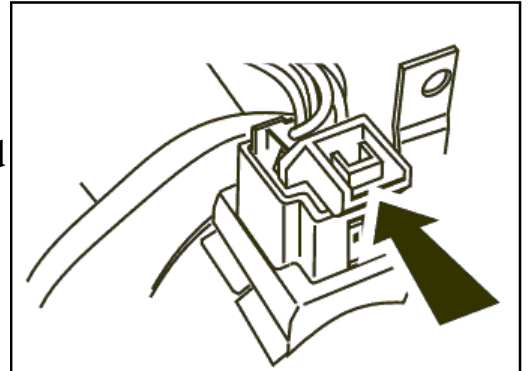


Figure 38. Wiring connector removal

16.5 To grease the control tap.

1. Detach the tap as in section 16.4.
2. Remove the two screws and washers from the head of the tap. Before removing the motorised head please note the location of the head as it is possible to fit it upside down.
3. Clean and grease the plug lightly with suitable grease. Do not apply excessive grease. Particularly, make sure that the gas ports in the tap are not restricted by grease.
4. Fit the head back onto the tap body. There is a circular flat on the tap body. The wire connector should face this side of the tap.
5. Fit the screws and washers removed previously.
6. Fit the tap in the reverse order to that shown in section 16.4 points 1- 8.

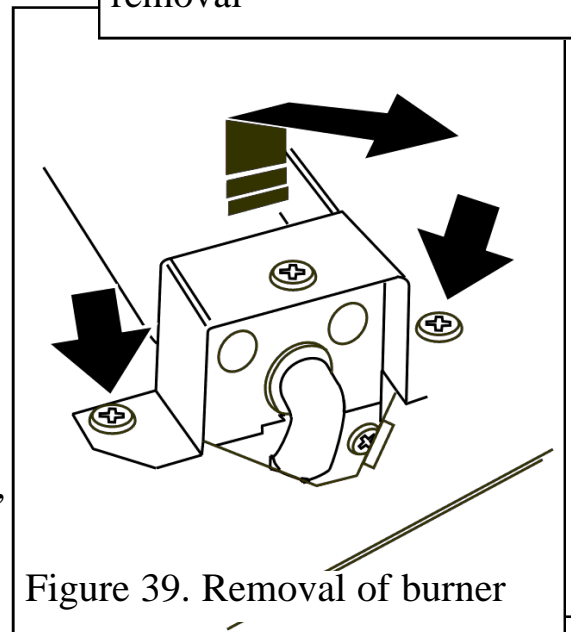


Figure 39. Removal of burner

16.6 To remove the main burner and injector.

(See figure 39 & 40).

1. Remove the burner unit (See section 16.2).
2. Support the elbow injector and unscrew the injector nut.
3. Remove the two screws from the burner clamping plate (See figure 39)
4. Lift the right hand side of the burner, slide it to the right and lift clear.
5. If removing the injector, remove the burner clamping screw (See figure 40) and unscrew the injector from the burner

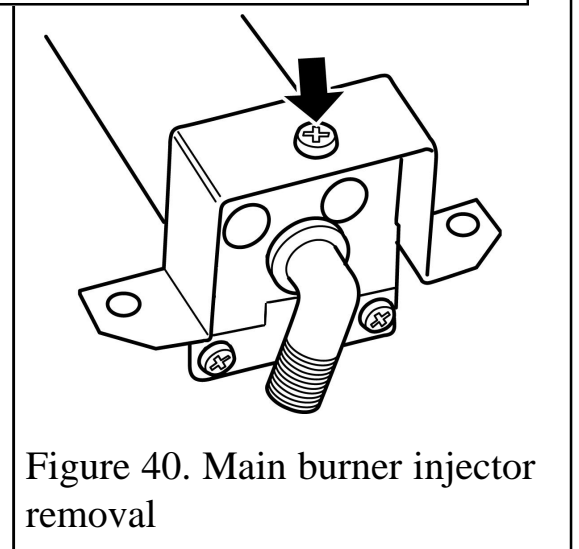


Figure 40. Main burner injector removal

INSTALLER GUIDE

6. Refit in reverse order.

16.7 To remove the L.E.D.

1. Remove the burner unit (See section 16.2).
2. Lay the burner on its back. Ensure that the work surface is suitably protected. This will avoid damage to the work surface.
3. The L.E.D. is held in place by a rubber grommet. To remove the L.E.D. from the grommet gently push the L.E.D. from the front.
4. Remove the L.E.D. plug from the back of the electronics box. Always hold the plug body. Never pull on the wires.
5. Replace in reverse order.

16.8 To remove the battery holder.

1. Remove the burner unit (See section 16.2).
2. Lay the burner on its back. Ensure that the work surface is suitably protected. This will avoid damage to the work surface.
3. Remove the batteries from the battery holder.
4. Remove the two screws from the centre of the battery holder.
5. The wires from the battery holder are connected to the electronics box by a push in plug connector. Identify the connector. You will note that another wire leads from the plug connector. This is an earth wire. Unscrew the end of the earth wire from the burner unit body.
6. Remove the plug connector from the back of the electronics box. Always hold the plug body. Never pull on the wires.
7. Replace in reverse order.

16.9 To remove the electronics box.

1. Remove the burner unit (See section 16.2).
2. Lay the burner on its back. Ensure that the work surface is suitably protected. This will avoid damage to the work surface.
3. Carefully remove all of the plug connectors and electrode lead from the back of the electronics box.
4. Remove the two screws securing the electronics box to the mounting bracket.
5. Replace in reverse order. For the plug connectors and electrode

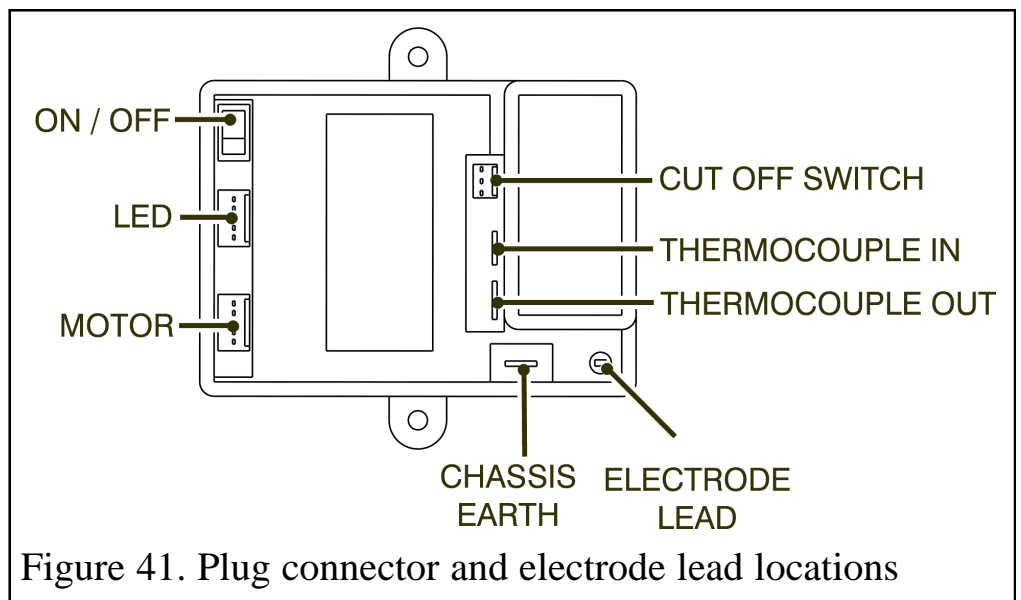


Figure 41. Plug connector and electrode lead locations

INSTALLER GUIDE

lead locations see figure 41.

6. If fitting a new electronics box the handset and receiver relationship will have to be set. See section 7.3.

16.10 To remove the appliance from the fireplace.

1. Remove the burner unit (See section 16.2).

2. If the fire retention is as method 1 (See section 10.1 of this guide), remove the screws.

If the fire retention is as method 2 (See section 10.2 of this guide), slacken the hexagonal adjusters on the cable retainers and unscrew the thumbscrews to release the cables.

3. Refit as described in the relevant installation sections. Make sure gas soundness, sealing, spillage test and performance are satisfactory.